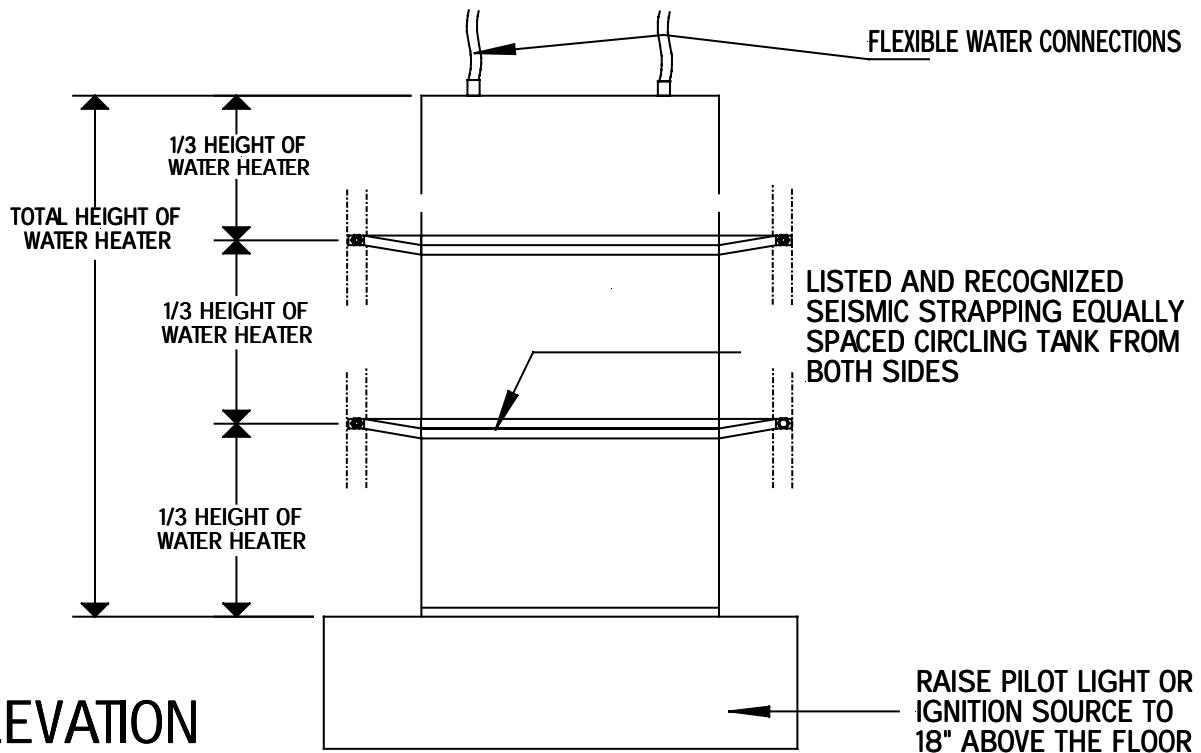
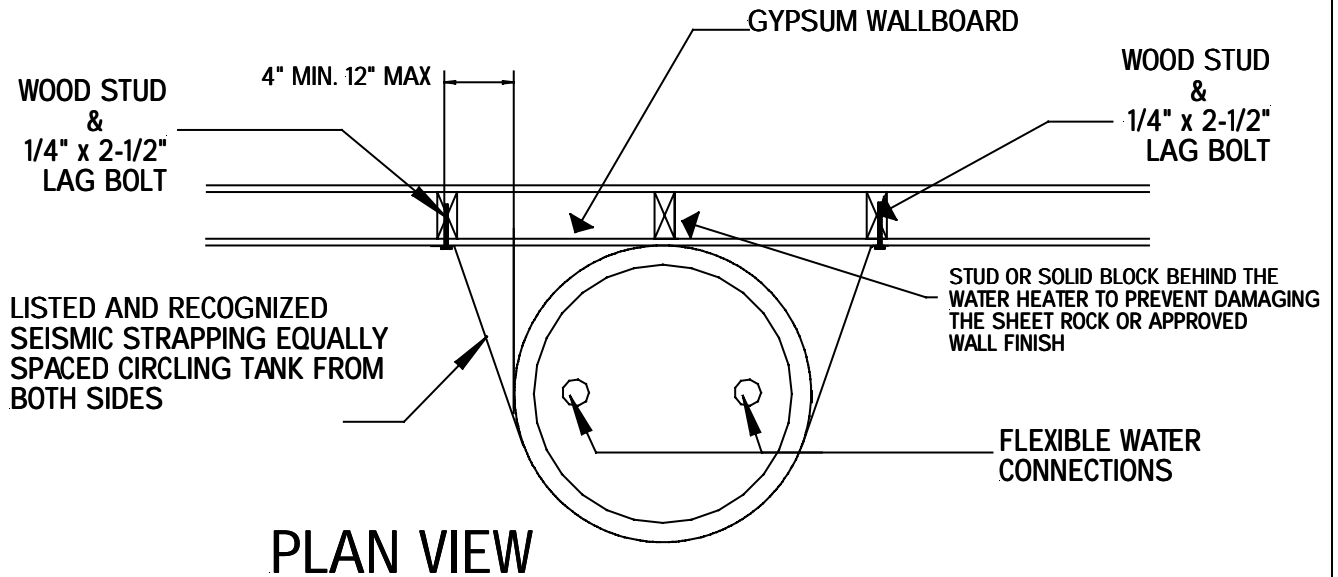




Southwest Washington Chapter of ICBO

This construction detail is accepted as meeting the minimum standard of construction as based upon the 1997 UBC requirements and is accepted in the following regional jurisdictions

Clark County, Cowlitz County, Skamania County, City of Camas, City of Centralia, City of Kalama, City of Longview, City of Ridgefield, City of Vancouver, City of Washougal, City of Woodland



#20 3/1/00

WATER HEATER SEISMIC STRAPPING

DWG BY LGN