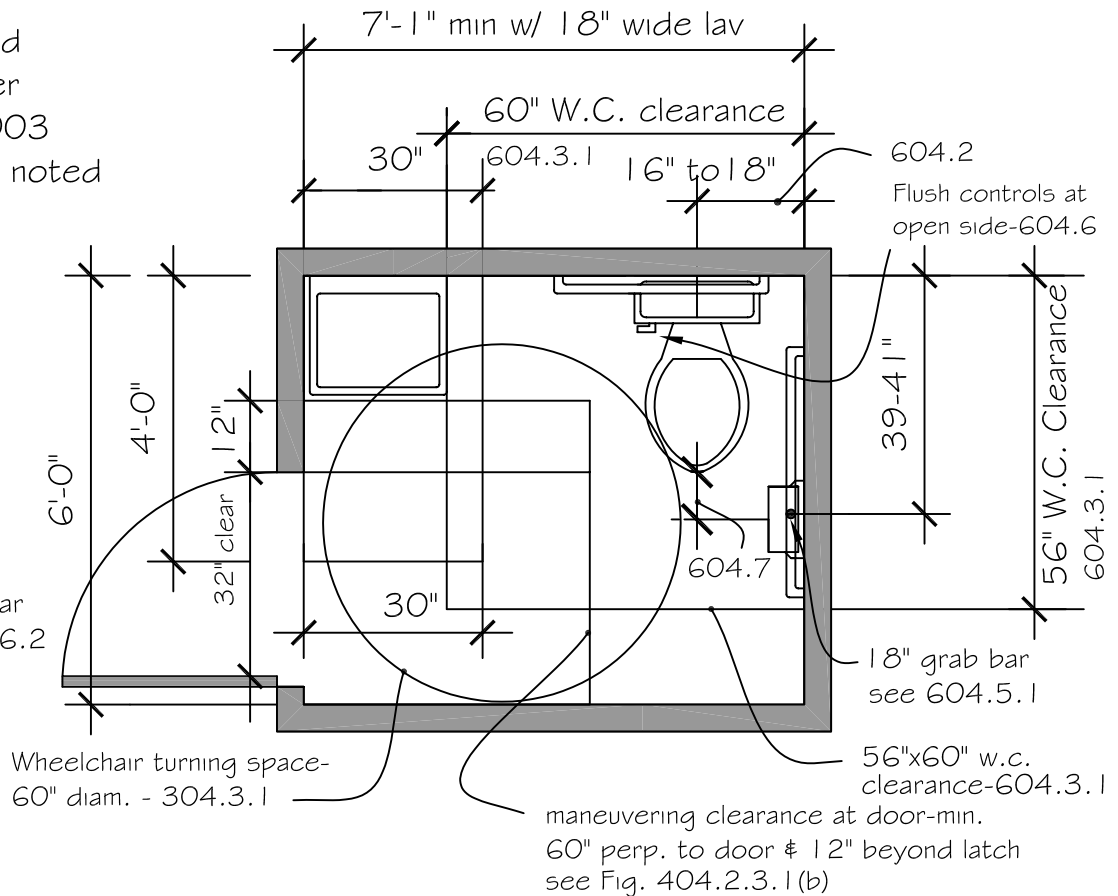


Note: referenced standards are per
Ansi A117.1-2003
unless otherwise noted

Clearances

304
305
306
606

30"x48" lav clear
floor space-606.2



Clearances:

1. Clear floor space shall be 30"x48" - 305.3. Clear floor space, clearances at fixtures and turning space shall be permitted to overlap. 603.2.2 (exception: In an individual use room 30" x48" clear floor space is provided within the room beyond the arc of the door swing)- 603.2.3.
2. Clearance around the water closet shall be 60" min. measured perpendicular from side wall, and 56" measured perpendicular from rear wall - 604.3.1. No other fixtures or obstructions are permitted- 604.3.2.
3. 60" diam. turning diam. shall comply with knee and toe clearance requirements. See section 306 for reduced clearances.
4. Doors and doorways per 404. For latch side approach as shown, min. 48" min. perp. to door & 24" clear at latch side. 54" required where closure is provided. See Figure 404.2.3.1. 32" clear

Lavatories:

1. Front of lavatory shall be 34" max above floor. See ANSI 606.3.
2. Knee clearance shall be permitted to extend 25" max under lav at 9" above floor. Where knee clearance is part of required ground space, the knee clearance shall be 11" deep min. at 9" above floor and 8" deep, min. at 27" above floor. 306.3.2 and 306.3.3. See 306.3.4 for reduced clearances.
3. Verify that lav chosen will meet W.C. clearance and knee and toe space requirements.

Water Closet:

1. Clearances per 604.3. Height per 604.4- see Figure 604.4.
2. Grab bars per 604.5 - Figure 604.5.1 and Figure 604.5.2.
3. Flush control- hand-operated or automatic- 604.6. If hand-operated, it shall be operable with one hand and shall not require tight grasping. Max. 5 pound operating force to activate. See 309.4.
4. Toilet paper dispensers per 604.7 & 309.4. 7" min. and 9" max. in front of water closet. Outlet of dispenser-min. 15" and max 48" above floor.