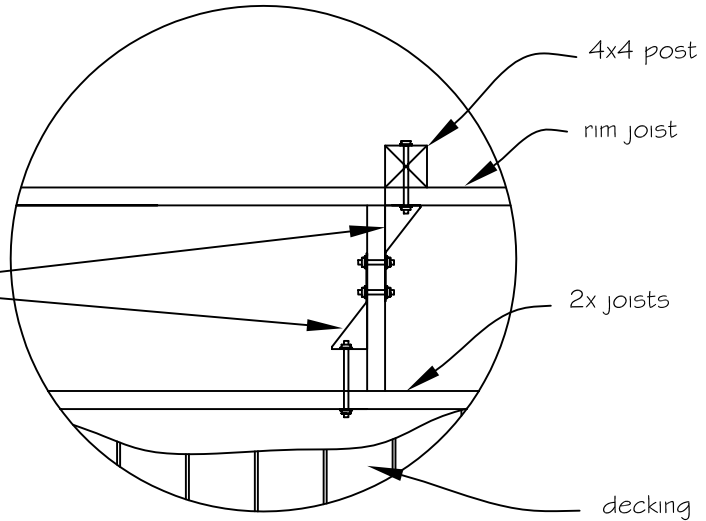
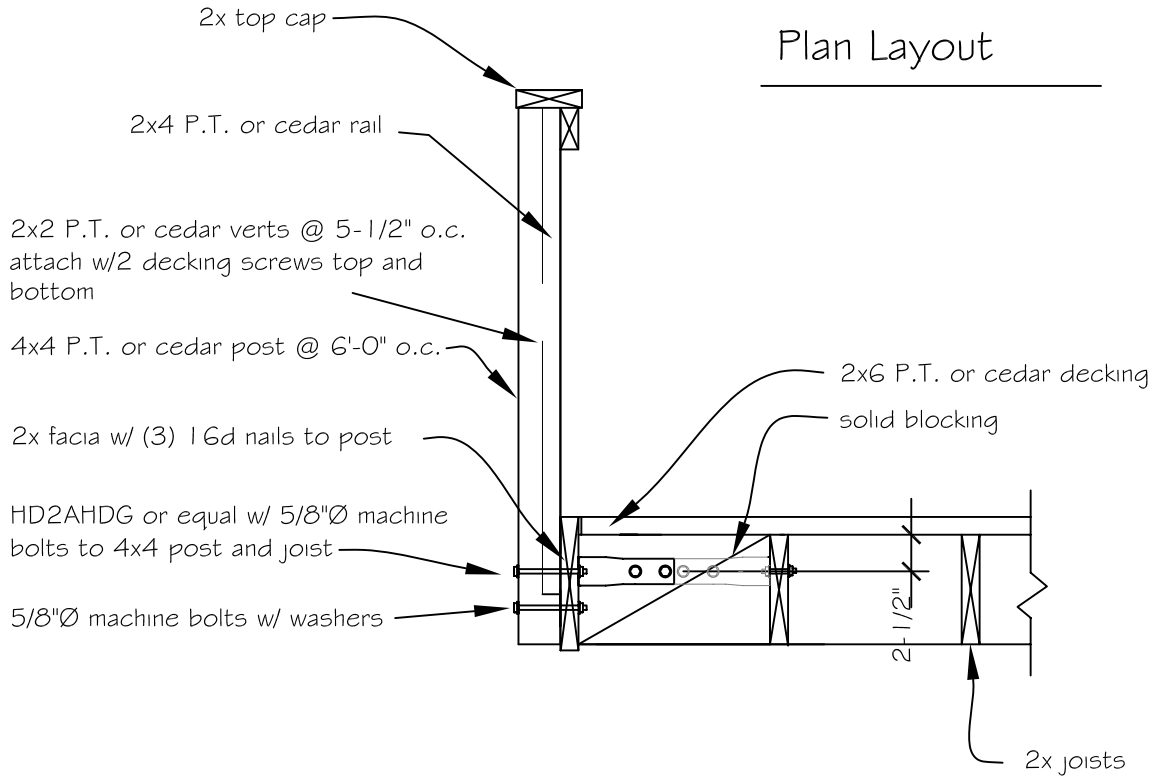


(2) HD2AHDG or equal w/ 5/8"Ø machine bolts - post to joist and joist to solid blocking



Plan Layout



Section- Guardrail post perpendicular to joists

NOTE: See page 5 for items not noted.

9

GUARDRAIL ATTACHMENT

Cantilever