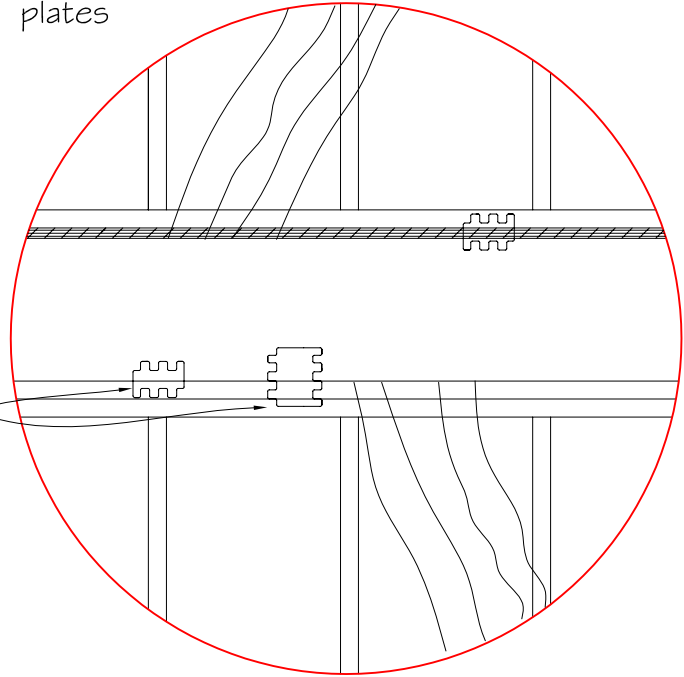


Shear Load Continuity with mechanical fasteners

(where wall sheathing does not lap on
to rim joists)

Simpson
LTP4 as shown
or LTP5 in either
direction @ 48" o.c.

with sheathing to
plates



Shear Load Continuity with plywood sheathing

bottom plate
floor sheathing
rim
NOTE: min. 2" lap on to rim
top & bottom

nail sheathing
with 6d nails @
6" o.c. edges
and 12" field

