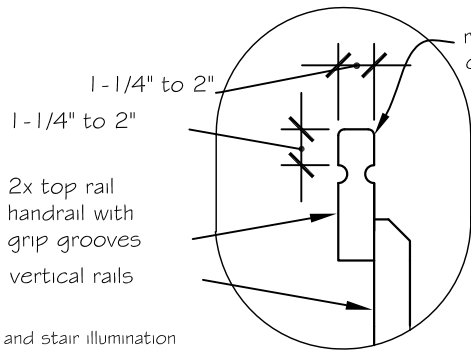
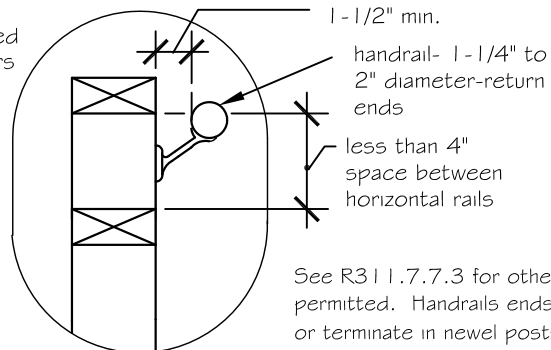


Typical Decks, Stairs, and Railing



(A) Stair handrail



(B) Stair handrail

See R311.7.7.3 for other handrail shapes permitted. Handrails ends shall be returned or terminate in newel posts or safety terminals. See IRC Section R311.7.7.2.

* Landing and stair illumination is required per R303.6

- minimum 3'x3' landing at all exterior doors
- min. 36" wide stairway

MOH

36" high guardrail required when deck is over 30" above grade

joists @ 24" o.c.

4x6 girders at 6' o.c.
4x4 posts (use 4x6 at joints)

brace when over 3' high

10" min. step

3/4" min. max. 1-1/4"

7-3/4" max. riser

34" to 38" high handrail

max. 2% slope

guardrail spaces so that a 4" sphere cannot pass-R312.3

exception- triangular space at steps so that a 6" sphere cannot pass R312.3 Except. #1

guardrail spaces so that a 4-3/8" sphere cannot pass R312.3 Except. #2

if 4 or more risers- handrail is required-R311.7.7

If deck is attached to house, footings must meet frost protection requirements. See detail R311.7-2.

All exterior decks exposed to the weather must be protected from decay and shall be by use of naturally durable wood or wood that is preservative-treated in accordance with AWPA U1 for the species, product, preservative and end use. Preservatives shall be listed in Section 4 of AWPA U1.

opening between treads does not permit passage of 4" sphere- not limited if total rise is less than 30 inches. R311.7.4.3