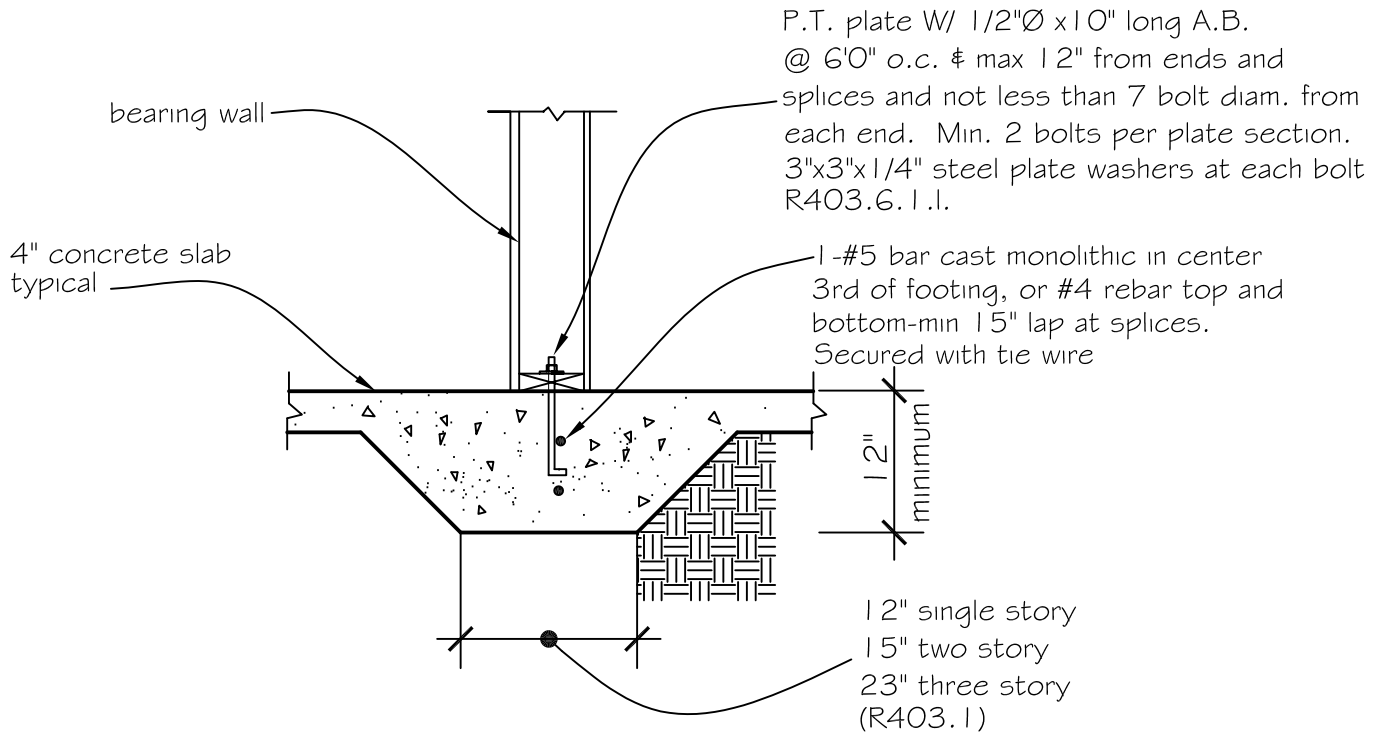


Southwest Washington Chapter of ICC

This construction detail is illustrative of the minimum standard of construction based upon the 2009 IRC / WAC 51-51

Visit our web site at: www.sww-icc.org



INTERIOR SLAB ON GRADE AT BEARING WALLS AND BRACED PANELS
R403.1.4.2, R403.1.6

Grade surface water away from foundations a min. 6" within the first 10' or slope to drain or swale
R401.3

26 gauge g.i. flashing or approved equal

8" min.
(R317)

12" min.

Option 1: 2" rigid insulation per WSEC 502.1.4.8

