



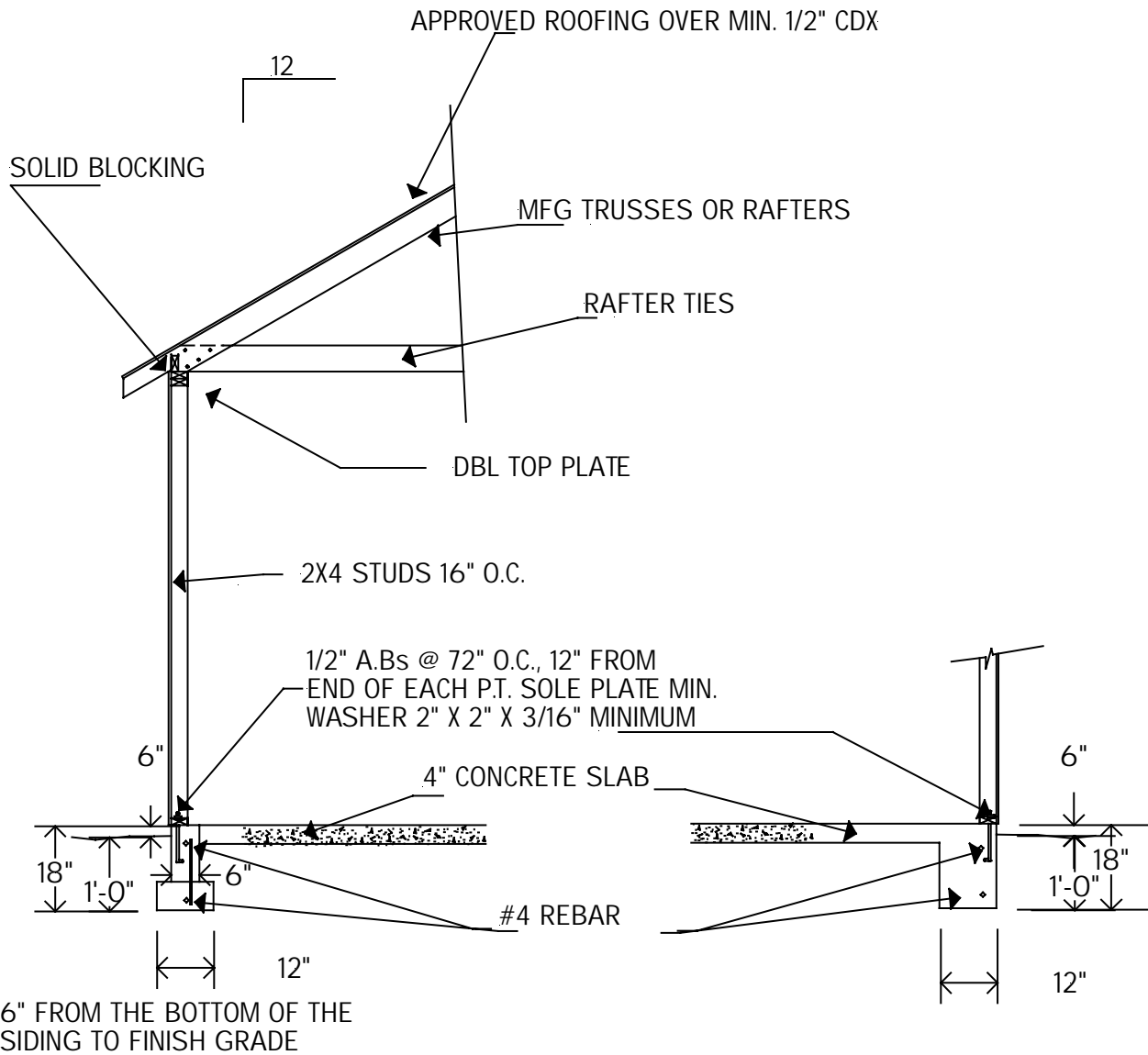
Southwest Washington Chapter of ICBO

This construction detail is accepted as meeting the minimum standard of construction as based upon the 1997 UBC requirements and is accepted in the following regional jurisdictions

Clark County, Cowlitz County, Skamania County, City of Camas, City of Centralia, City of Kalama, City of Longview, City of Ridgefield, City of Vancouver, City of Washougal, City of Woodland

TYPICAL GARAGE OR STORAGE SHED WALL SECTION

Check with local Jurisdiction for frost depth requirements



6" FROM THE BOTTOM OF THE SIDING TO FINISH GRADE

#21 3/1/00

TYPICAL CROSS SECTION

DWG BY LGN