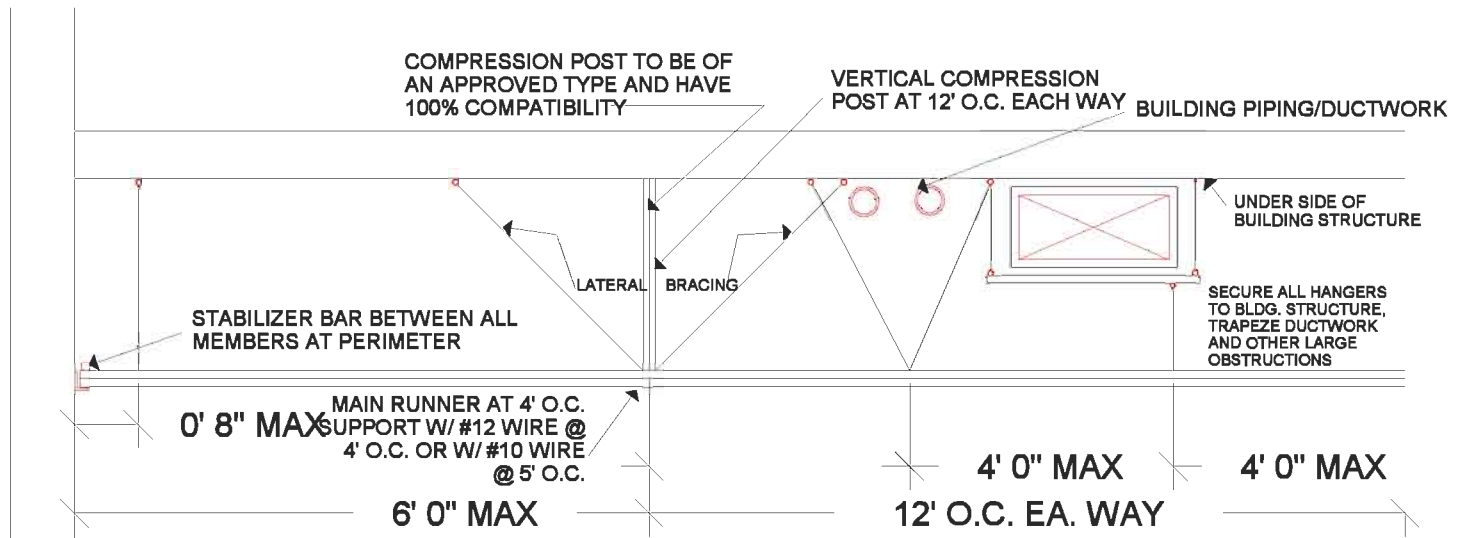


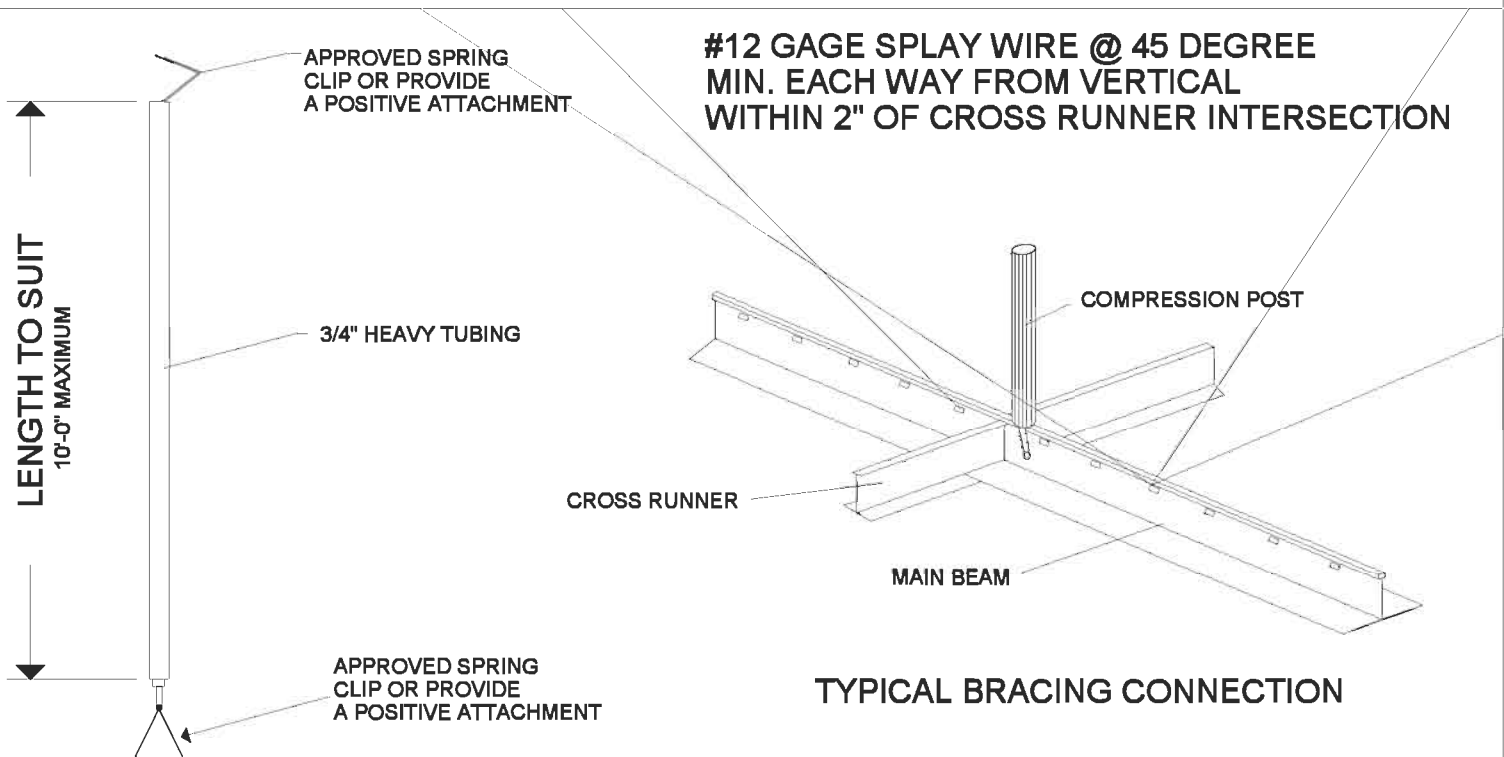
# Southwest Washington Chapter of ICC

This construction detail is accepted as meeting the minimum standard of construction as based upon the 2003 IBC / WAC 51-50 requirements and is accepted in the following regional jurisdictions

City of Battle-Ground, Clark County, Cowlitz County, City of Camas, City of Centralia, City of Kalama  
 City of Longview, City of Ridgefield, City of Vancouver, City of Washougal, City of Woodland



## TYPICAL SUSPENDED CEILING



## TYPICAL BRACING CONNECTION

COMPRESSION POST MAX LOAD 354lbs CAPITOL TEST 1976

## LATERAL BRACING FOR SUSPENDED CEILING PER UBC ST. 25-2

#38 - 8/1/00

# Suspended Ceiling

DWG BY LGN