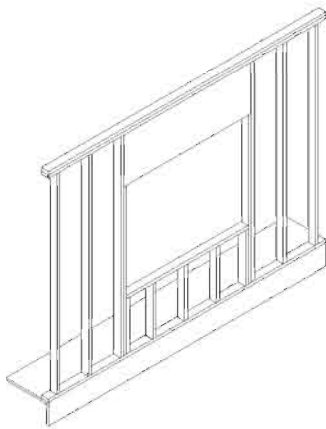


Southwest Washington Chapter of ICC

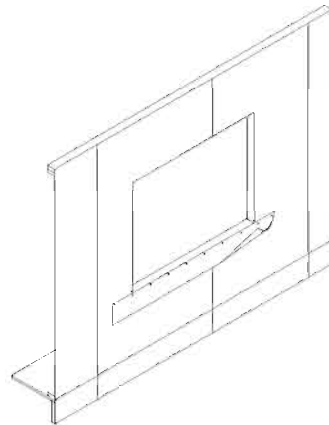
This construction detail is accepted as meeting the minimum standard of construction as based upon the 2004 IBC / WAC 51-50 requirements and is accepted in the following regional jurisdictions

Clark County, Cowlitz County, Skamania County, City of Camas, City of Centralia, City of Kalama, City of Longview, City of Ridgefield, City of Vancouver, City of Washougal, City of Woodland

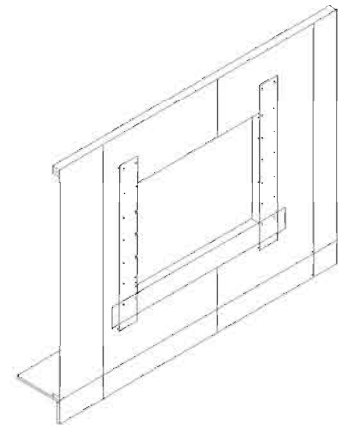
THIS DETAIL SHOWES A RECOMENDED FLASHING APPLICATION



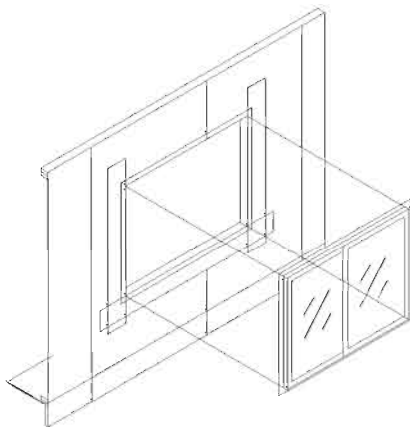
ROUGH WINDOW
OPENING



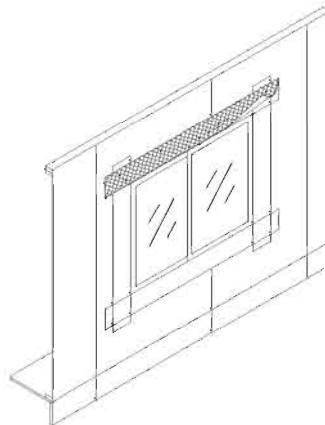
ATTACH SILL VAPOR BARRIER
@ EDGE OF OPENING
ONLY, EXTEND PAST
JAMB VAPOR BARRIER.



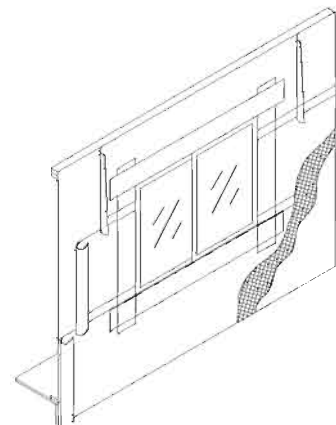
ATTACH JAMB PIECES,
LAP OVER SILL PIECE
AND LEAVE BOTTOM



APPLY A CONT. BEAD
OF SEALANT WITHIN 1/2"
OF OPENING. SET WDW
ONTO SEALANT AND
FASTEN TO STRUCTURE.
INSPECT WINDOW FINIS
FOR DAMAGE.



APPLY VAPOR BARRIER
@ HEAD OF WINDOW
OVER NAIL FIN.



SLIP BLDG. PAPER UNDER
SILL VAPOR BARRIER. 2ND COURSE
OF BLDG. PAPER LAPS OVER
JAMB VAPOR BARRIER AND 3RD COURSE
LAPS OVER HEAD VAPOR BARRIER.
BLDG. PAPER MUST HAVE
2" HORIZ & 6" VERT LAPS

#43 11/1/01

WALL FLASHING

Drawing courtesy of
Derrick Swerhone Architect