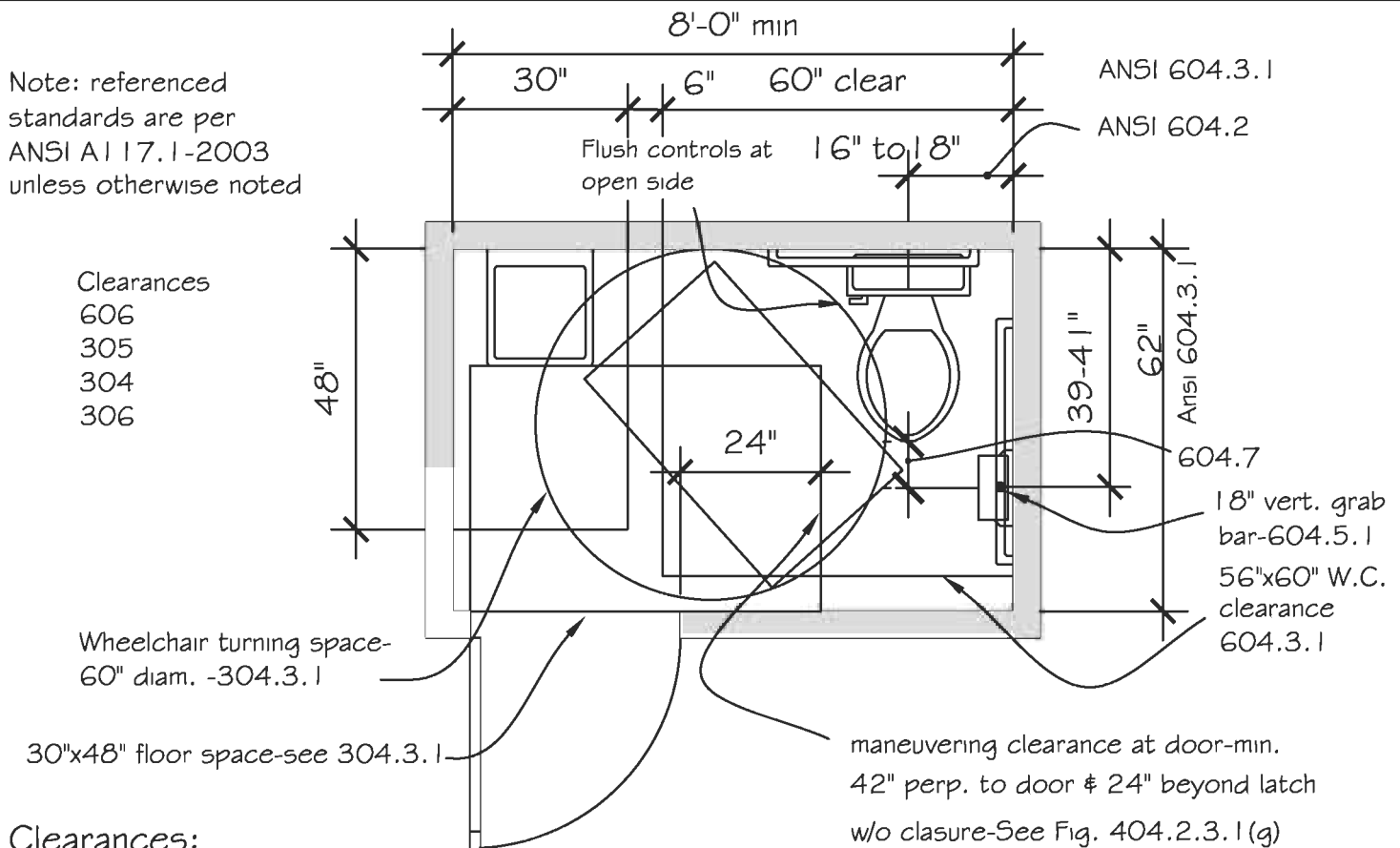


Note: referenced standards are per ANSI A117.1-2003 unless otherwise noted



Clearances:

1. Clear floor space shall be 30"x48" - 305.3. Clear floor space, clearances at fixtures and turning space shall be permitted to overlap. See 305.3 and 603.2.2 (exception: In an individual use room 30" x48" clear floor space is provided within the room beyond the arc of the door swing). See 603.2.3.
2. Clearance around the water closet shall be 60" min. measured perpendicular from side wall, and 56" min. measured perpendicular from rear wall. No other fixtures or obstructions are permitted.
3. 60" diam. turning diam. shall comply with knee and toe clearance requirements. See section 306 for reduced clearances.
4. Doors and doorways per section 404. For latch side approach, min. 48" min. perp. to door & 24" clear at latch side. 48" required where closure is provided. See Figure 404.2.3.1. Min 32" clear door width. See Section 404.2.2.

Lavs:

1. Front of lav shall be 34" max above floor. See 606.3.
2. Knee clearance shall be permitted to extend 25" max under lav at 9" above floor. Where knee clearance is part of required ground space, the knee clearance shall be 11" deep min. at 9" above floor and 8" deep, min. at 27" above floor. See section 306.3.2 and 306.3.3. See 306.3.4 for reduced clearances. See also Figure 306.3.
3. Dimensions provided using a 20" deep by 18" wide lav. Deeper lavs will increase toilet room depth.

Water Closet:

1. Clearances per section 604.3. Height per 604.4- see Figure 604.4..
2. Grab bars per 604.5 - see Figure 604.5.1 and Figure 604.5.2.
3. Flush control- hand-operated or automatic- See 604.6. If hand-operated, it shall be operable with one hand and shall not require tight grasping. Max. 5 pound operating force to activate. See 309.4.
4. Toilet paper dispensers per 604.7 & 309.4. 7" min. and 9" max. in front of water closet. Outlet of dispenser-min. 15" and max 48" above floor.