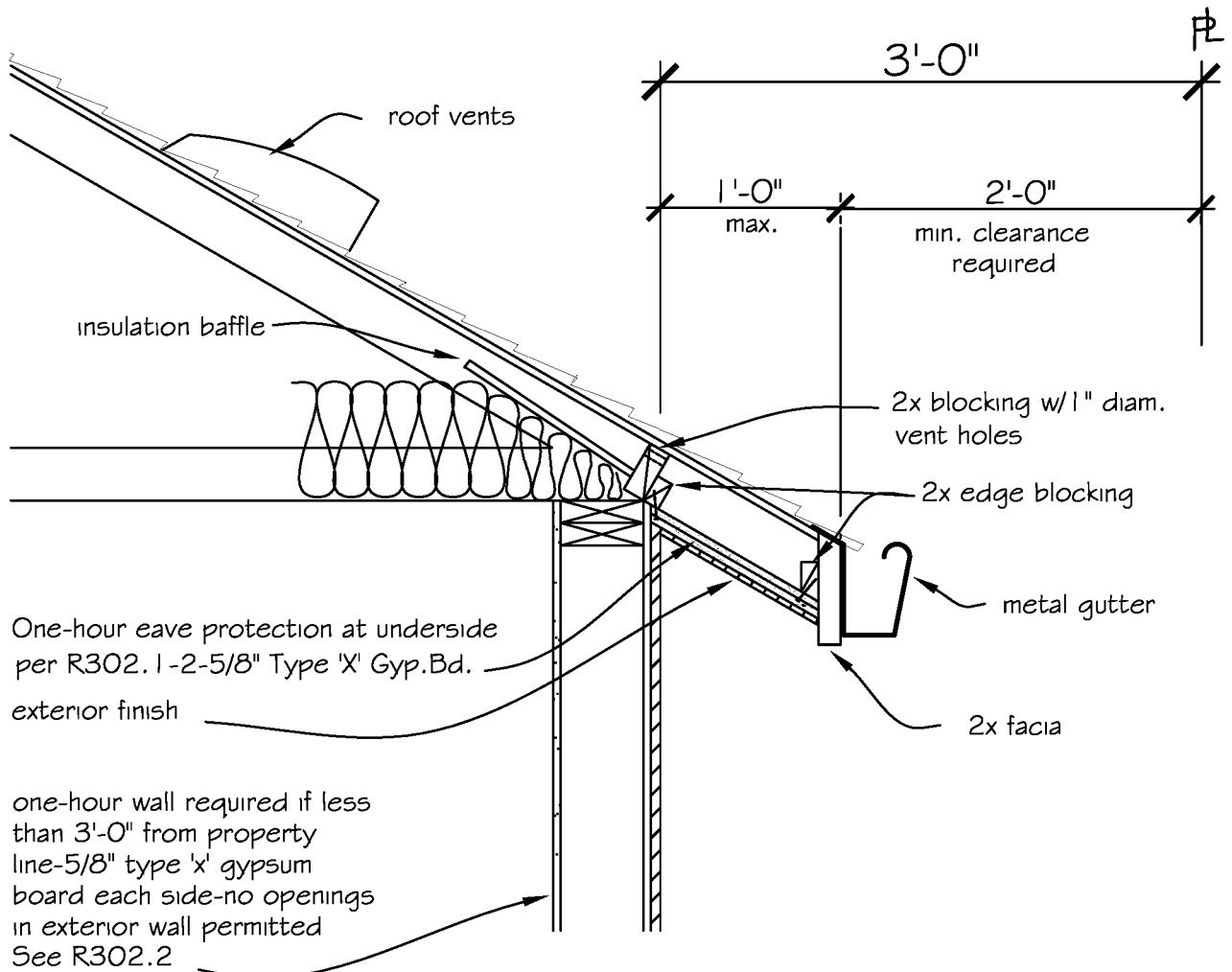




Southwest Washington Chapter of ICC

This construction detail is illustrative of the minimum standard of construction based upon the 2003 IRC / WAC 51-51



- NOTE :
1. Exhaust, plumbing vents, attic vents- min. 3' from property line at roof penetrations
 2. Penetrations in exterior wall with fire separation distance of less than 3' shall be protected in accordance with R317.3.

EAVE OVERHANG PROTECTION FOR (R-3) RESIDENTIAL CONSTRUCTION