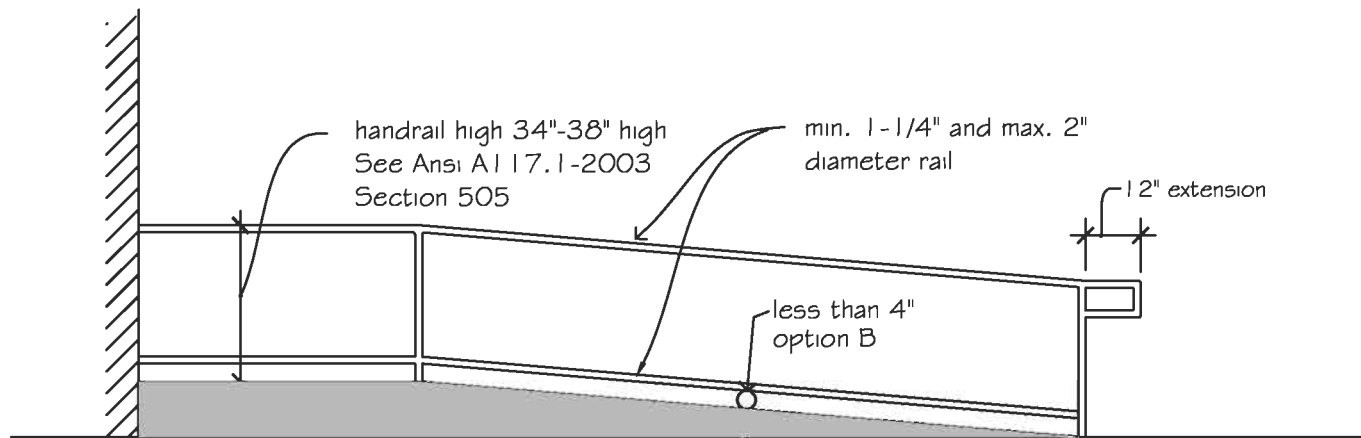
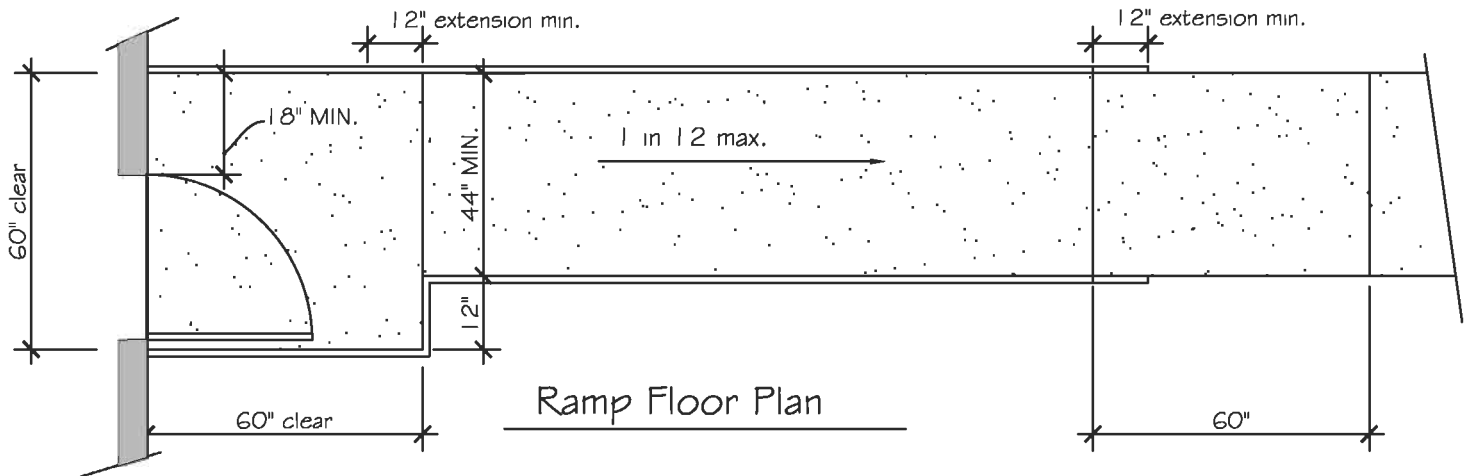


Southwest Washington Chapter of ICC

This construction detail is illustrative of the minimum standard
of construction based upon the 2003 IBC / WAC 51-50



Ramp Elevation

Note:

(All code sections shall be ICC/ANSI A117.1-2003 unless otherwise noted)

1. Min. clear width shall be 44 inches. See WAC 51-50 Section 1101.2.2.
2. Max. ramp slope runs shall be not steeper than 1 vert. in 12 horiz. and the maximum cross slope shall not be steeper than 1 vert. to 48 horiz. See Section 405.7.
3. Max. rise of 30" vertical between landings. See Section 405.6.
4. 60" x 60" landing required where ramp changes direction. See Section 405.7.4.
5. Ramp runs with a rise greater than 6" shall have handrails complying with WAC 51-50-1010.8 and ANSI standards. Ramp handrails shall extend 12 inches min. beyond the top and bottom of ramp runs. Handrails shall have an outside diameter of 1-1/4" min. and 2 inches max. or comply with section 505.7.2 for noncircular cross sections. Clearance between handrails and adjacent surfaces shall be 1-1/2 inches clear.
6. Edge protection required on each side of ramp per one of the following three options:
Option (A) Extended floor of the ramp run and or ramp landing shall extend 12" beyond the inside face of the railing per Section 405.9.1; or Option (B) Provide a curb or barrier that prevents the passage of a 4" diameter sphere where any portion of the sphere is within 4" of the floor per 405.9.2; or Option (C) Provide a rail mounted below the hand rail mounted 17" to 19" above the ramp and landing per IBC 1010.9.1.
7. Maneuvering clearances at door shall comply with 404.2.3.
8. Guards required on open-sided walkway of ramp and landing where located more than 30 inches above above the floor or grade below. See IBC 1012.