

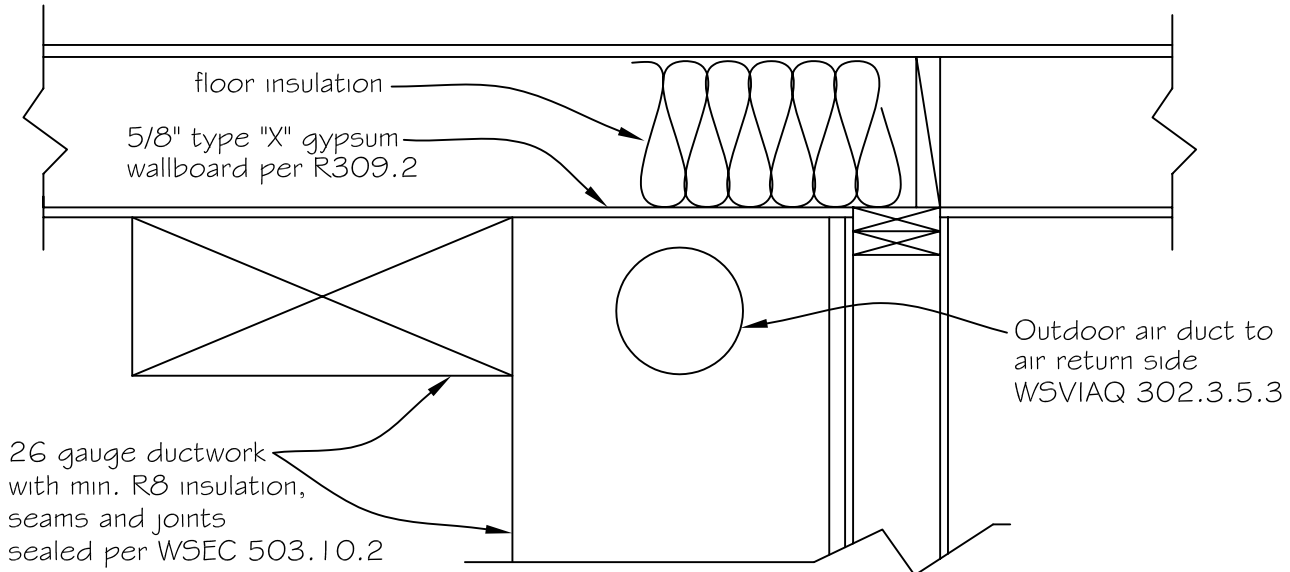


Southwest Washington Chapter of ICC

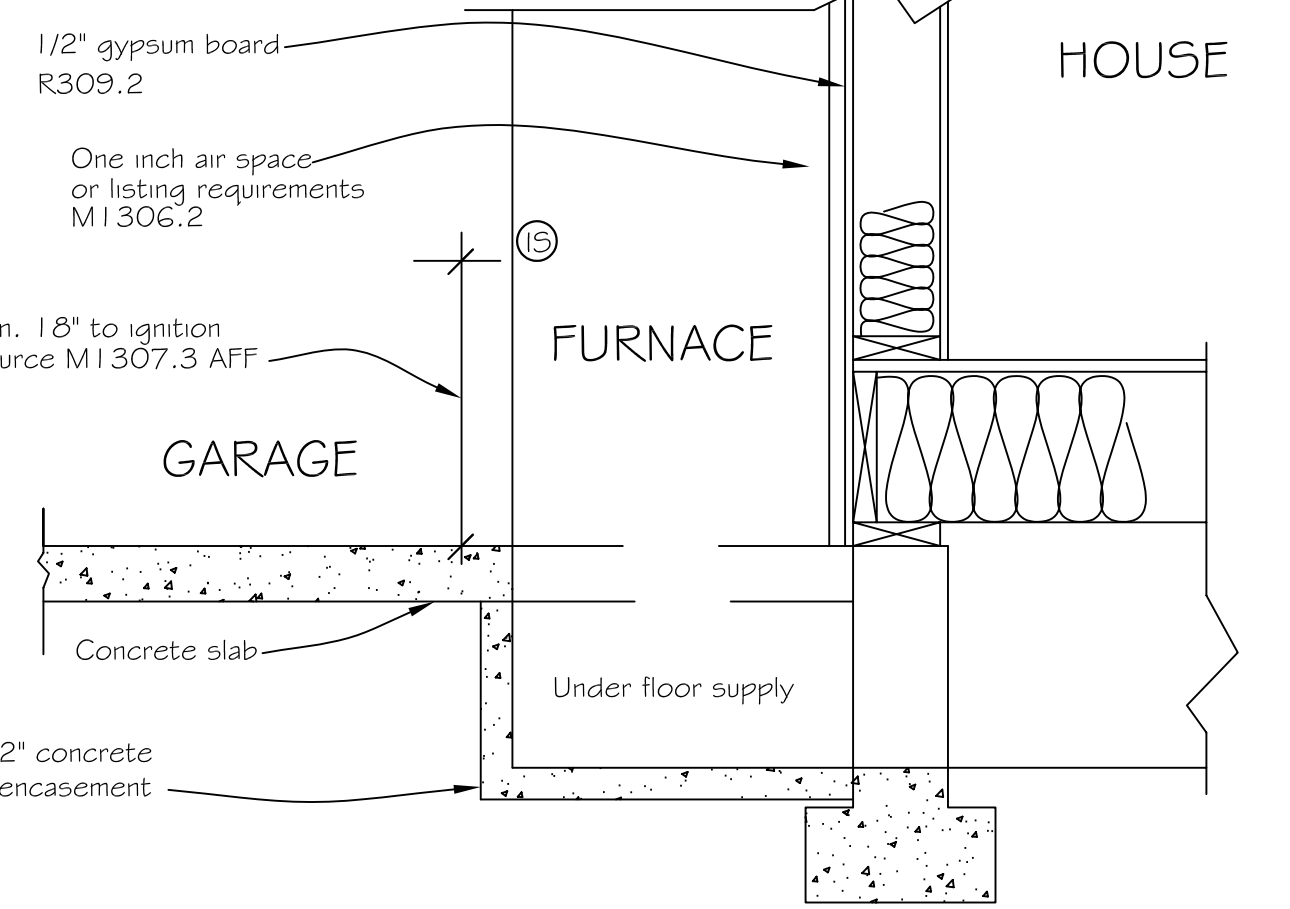
This construction detail is illustrative of the minimum standard of construction based upon the 2006 IRC / WAC 51-51

Visit our web site at: www.sww-icc.org

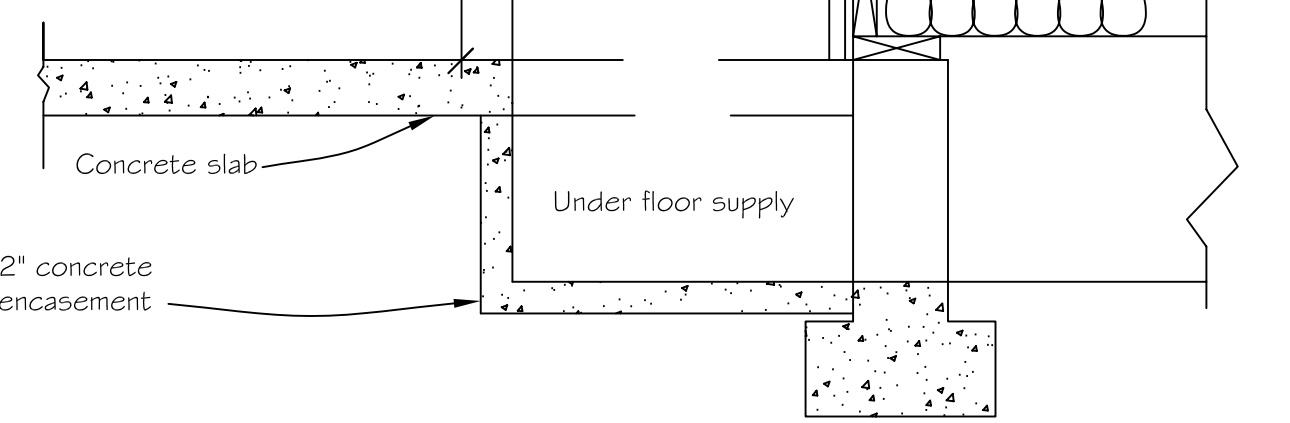
LIVING SPACE



HOUSE



GARAGE



GARAGE SEPARATION REQUIREMENTS AT CEILING/WALL AND FURNACE/DUCTWORK

2006 IRC

GARAGE SEPARATION

DWG BY PSL 2-24-08

R309.2