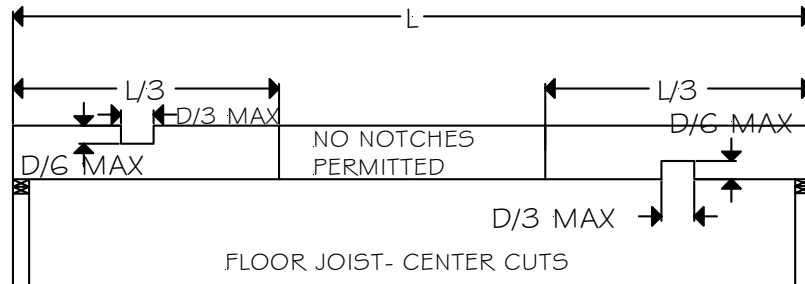




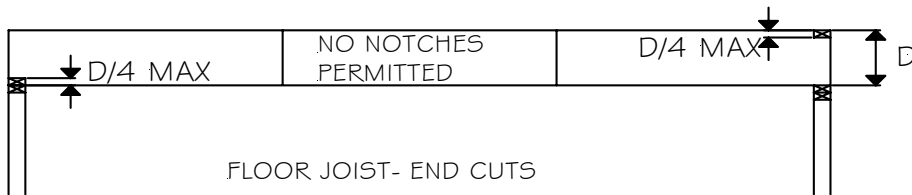
# Southwest Washington Chapter of ICC

This construction detail is accepted as meeting the minimum standard of construction as based upon the 2003 IRC / WAC 51-51 requirements and is accepted in the following regional jurisdictions

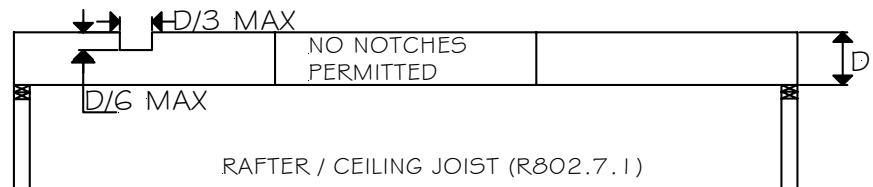
**Cities of;** Camas, Centralia, Kalama, Ridgefield, Castle Rock, Vancouver, Washougal, Winlock, Woodland, Longview, Battle Ground,  
**Counties of;** Clark, Cowlitz, Skamania, Lewis



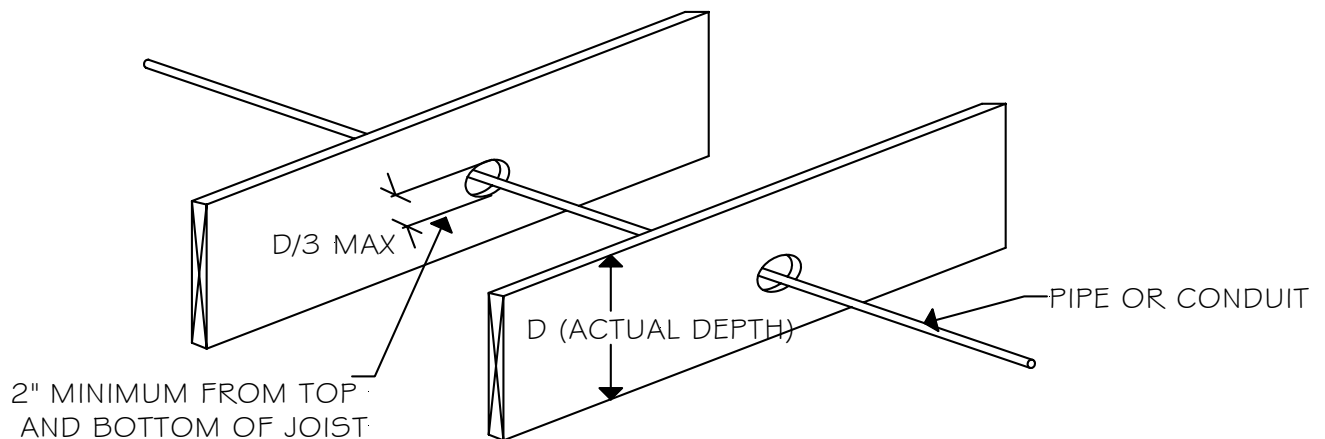
FLOOR JOIST- CENTER CUTS



FLOOR JOIST- END CUTS



RAFTER / CEILING JOIST (R802.7.1)



R502.8.1 2/04

SOLID SAWN LUMBER  
RAFTER AND JOIST NOTCHING & BORING

DWG BY LGN