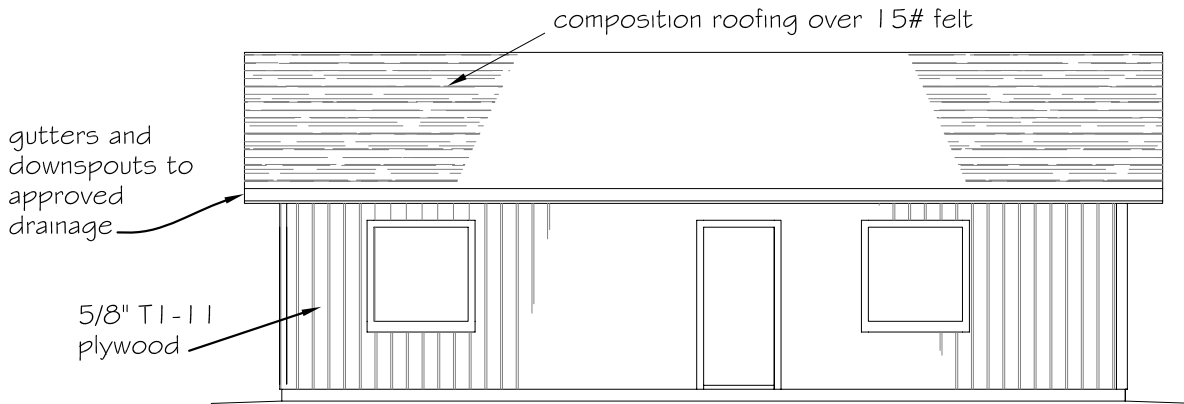


Southwest Washington Chapter of ICC

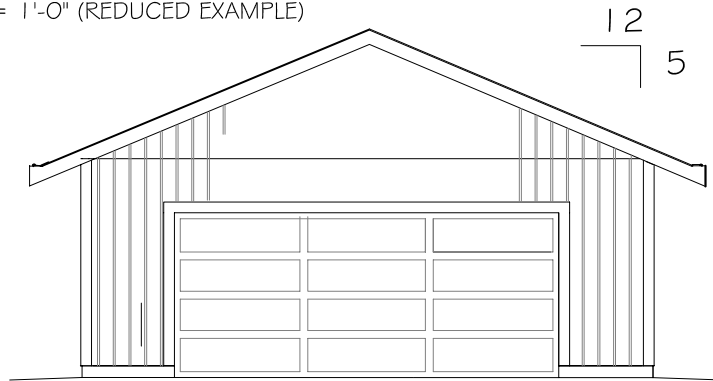
This construction detail is illustrative of the minimum standard of construction based upon the 2006 IRC / WAC 51-51

CHAPTER



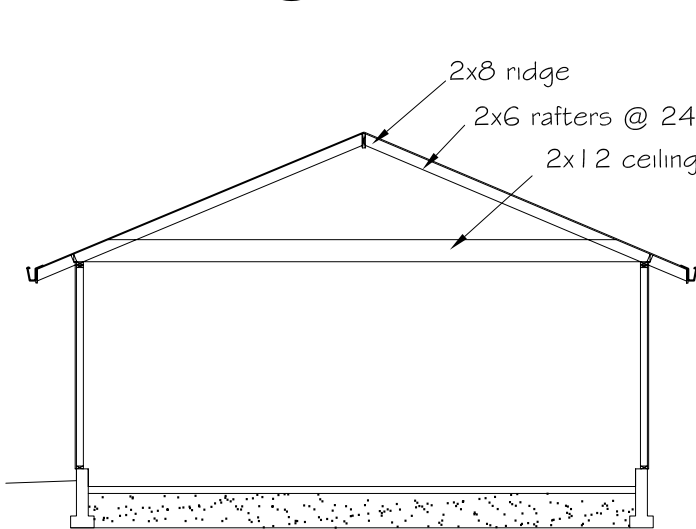
1 SIDE ELEVATION
13

scale- 1/4" = 1'-0" (REDUCED EXAMPLE)



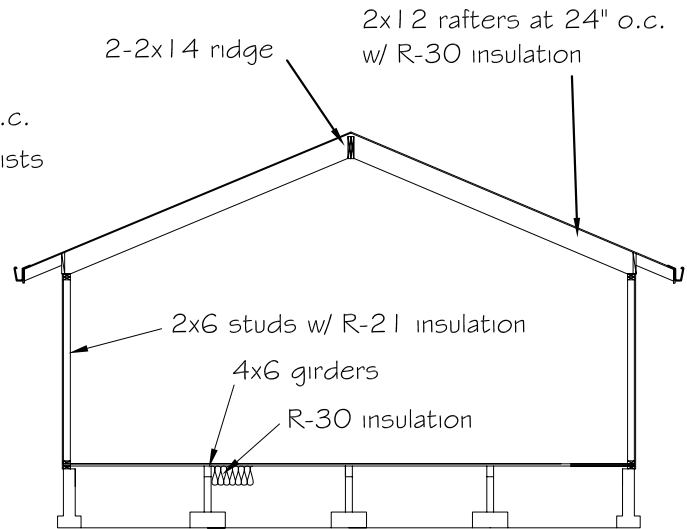
2 FRONT ELEVATION
13

scale- 1/4" = 1'-0" (REDUCED EXAMPLE)



3 SECTION (thru garage)
13

scale- 1/4" = 1'-0" (REDUCED EXAMPLE)



4 SECTION (thru shop)
13

scale- 1/4" = 1'-0" (REDUCED EXAMPLE)