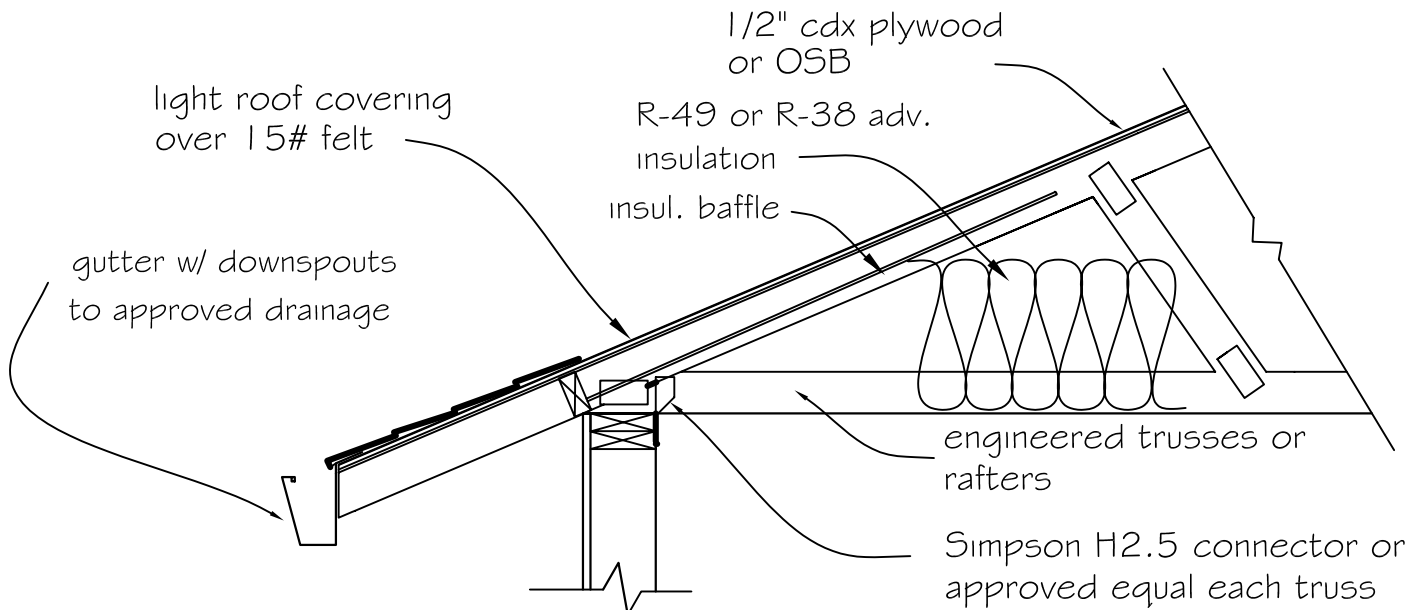


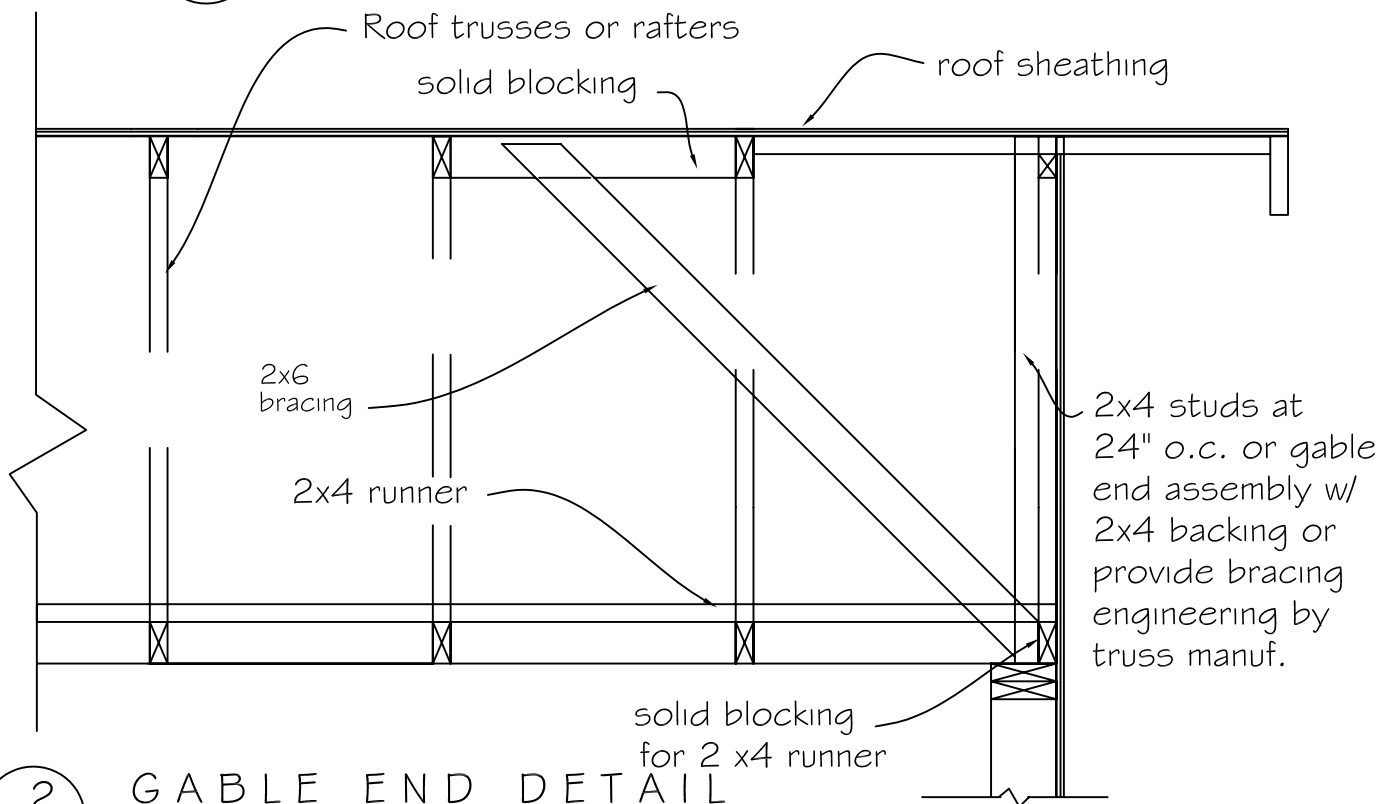
# Southwest Washington Chapter of ICC

This construction detail is illustrative of the minimum standard of construction based upon the 2006 IRC / WAC 51-51

Visit our web site at: [www.sww-icc.org](http://www.sww-icc.org)



1  
9 ROOF TRUSSES (MANUFACTURED)  
scale- 3/4" = 1'-0"



2  
9 GABLE END DETAIL  
scale- 3/4" = 1'-0" (trusses shown- conventionally framed gable end bracing similar)