



# Southwest Washington Chapter of ICC

This construction detail is illustrative of the minimum standard of construction based upon the 2021 IBC / WAC 51-50

Visit our web site at: [www.sww-icc.org](http://www.sww-icc.org)

## Section IBC 1014.1 Where required.

Handrails required on each side per 1011.11 for stairs and 1012.8 for ramps.

**Section IBC 1014.2 Height** Handrail height, measured above stair tread nosings, or finish surface of ramp slope, shall be uniform, not less than 34" and not more than 38".

**1014.2.2 Lateral location.** Handrails located outward from the edge of the walking surface of flights of stairways, ramps, stepped aisles and ramped aisles shall be located within 6 inches measured horizontally from the edge of the walking surface. Handrails projection into the width of the walking surface shall comply with Section 1014.8.

**Section IBC 1014.3 Handrail graspability.** EXCEPTIONS: Group R-2, R-3 within dwelling units and U occupancies accessory to R-3 or accessory to individual dwelling units in Group R-2; handrails shall be Type I in accordance with 1014.3.1, Type II in with Section 1014.3.2 or shall provide equivalent graspability.

**1014.3.1 Type I.** Handrails with a circular cross section shall have an outside diameter of at least 1 1/4" and not greater than 2". If the handrail is not circular it shall have a perimeter dimension of at least 4" and not greater than 6 1/4" with a maximum cross section of dimension of 2 1/4" minimum x sectional dimension of 1". Edges shall have a minimum radius of 0.01"

**1014.3.2 Type II.** Handrails with a perimeter greater than 6 1/4" shall provide a graspable finger recess area on both sides of the profile. The finger recess shall begin within a distance of 3/4" measured vertically from the tallest portion of the profile and achieve a depth of at least 5/16" within 7/8" below the widest portion of the profile. This required depth shall continue for at least 3/8" to a level that is not less than 1 3/4" below the tallest portion of the profile. The minimum width of the handrail above the recess shall be 1 1/4" to a maximum of 2 3/4". Edges shall have a minimum radius of 0.01".

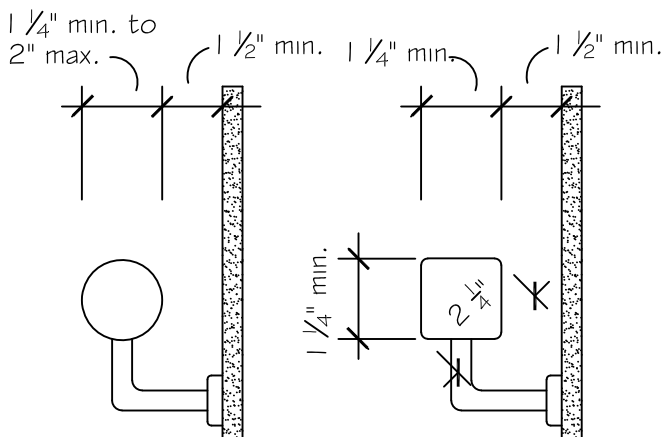
## Section IBC 1014.4 Continuity.

Handrail-gripping surfaces shall be continuous, without interruption by newel posts or other obstructions.

## Section 1014.6 Handrail extensions.

Handrails shall return to a wall, guard or the walking surface or shall be continuous to the handrail of an adjacent stair flight or ramp run. Where handrails are not continuous between flights, the handrails shall extend horizontally at least 12" beyond the top riser and continue to slope for the depth of one tread beyond the bottom riser. At ramps where handrails are not continuous between runs, the handrails shall extend horizontally above the landing 12 inches minimum beyond the top and bottom of ramp runs.

### Example of Type I Handrails



### Example of Type II Handrails

