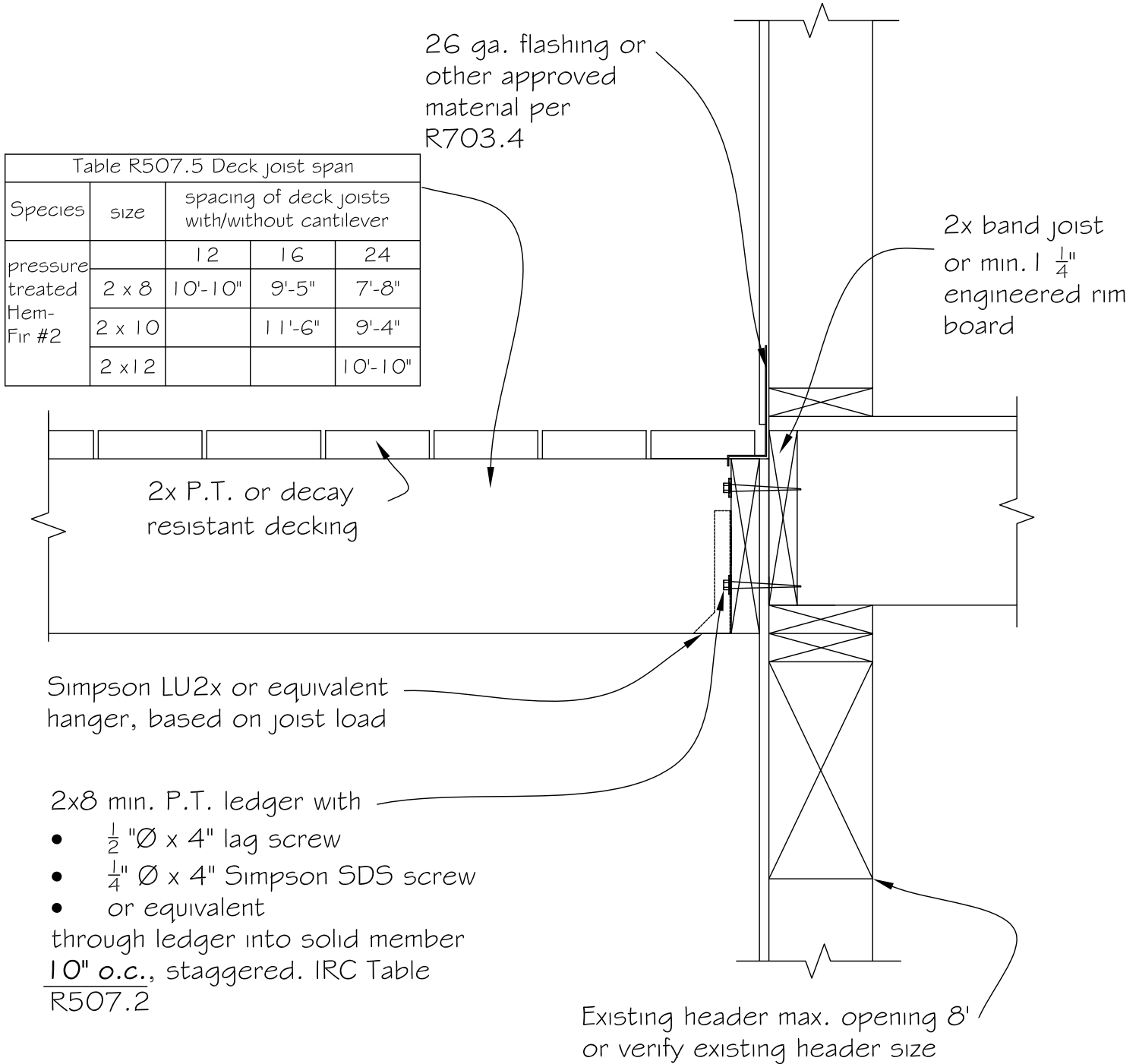


NOTE: All exposed lumber to be pressure treated (P.T.) or decay resistant.
Fasteners for P.T. wood shall be hot-dipped galvanized or stainless steel



3

TYPICAL LEDGER CONNECTION