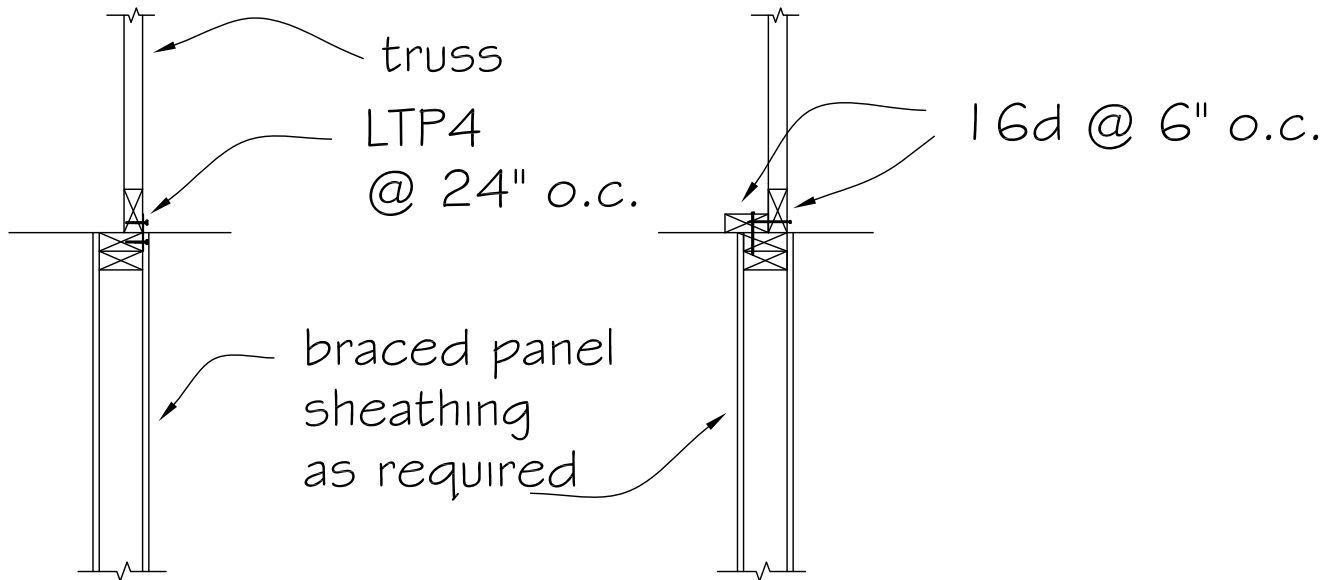


Wall Parallel to Trusses - not aligned



OPTION 1

OPTION 2

Wall Parallel to trusses- aligned