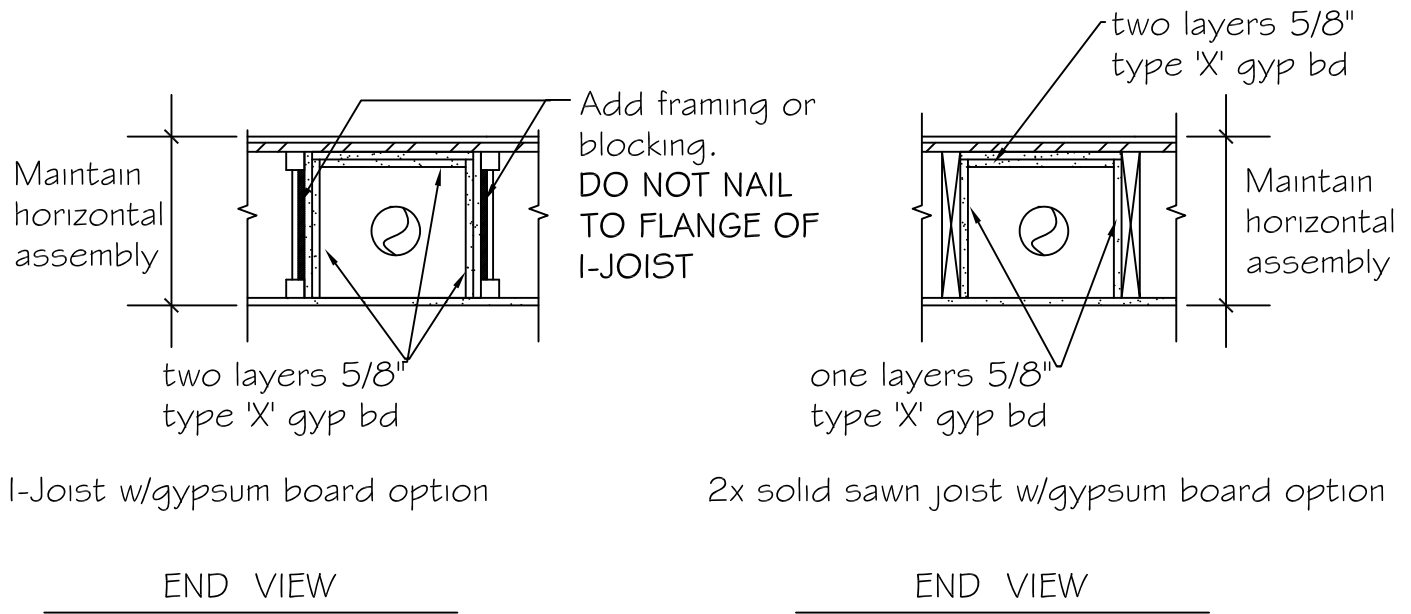
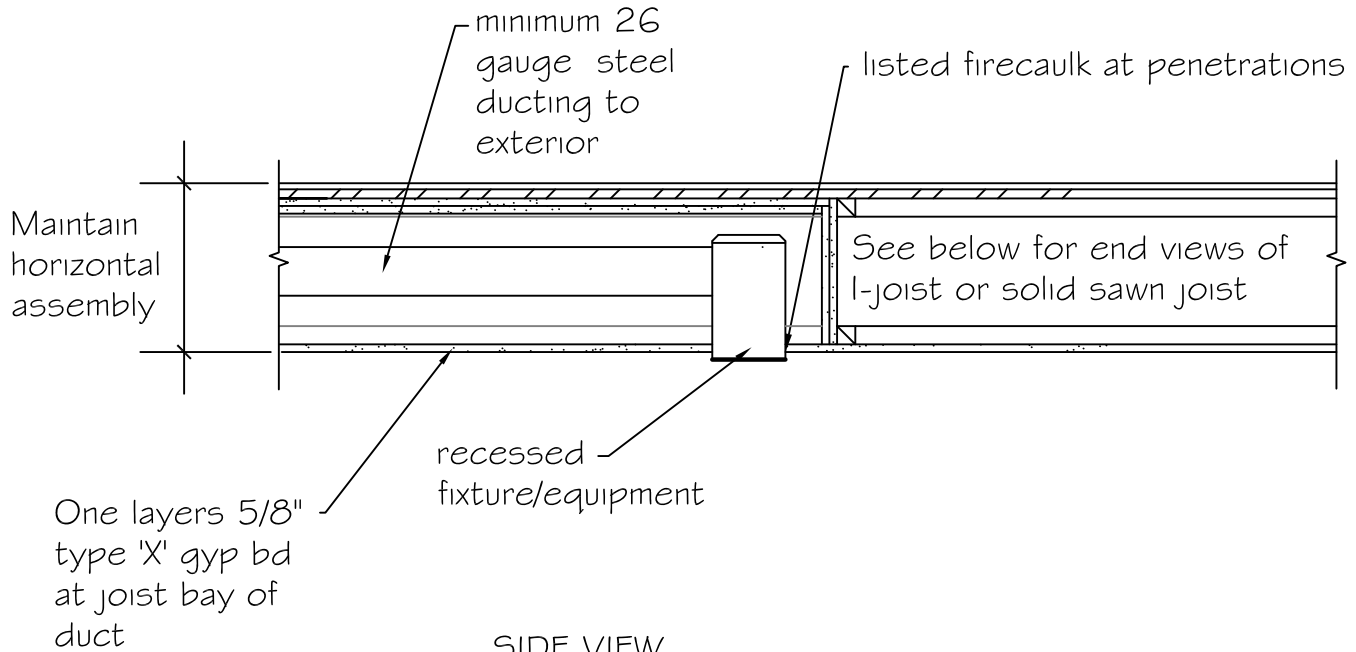




# Southwest Washington Chapter of ICC

This construction detail is illustrative of the minimum standard of construction based upon the 2021 IBC / WAC 51-50

Visit our web site at: [www.sww-icc.org](http://www.sww-icc.org)



## Notes :

1. fire caulk all penetrations through built-up box.
2. 1" minimum clearance from duct to combustibles.
3. Consult design professional for the specific fire stopping requirements.