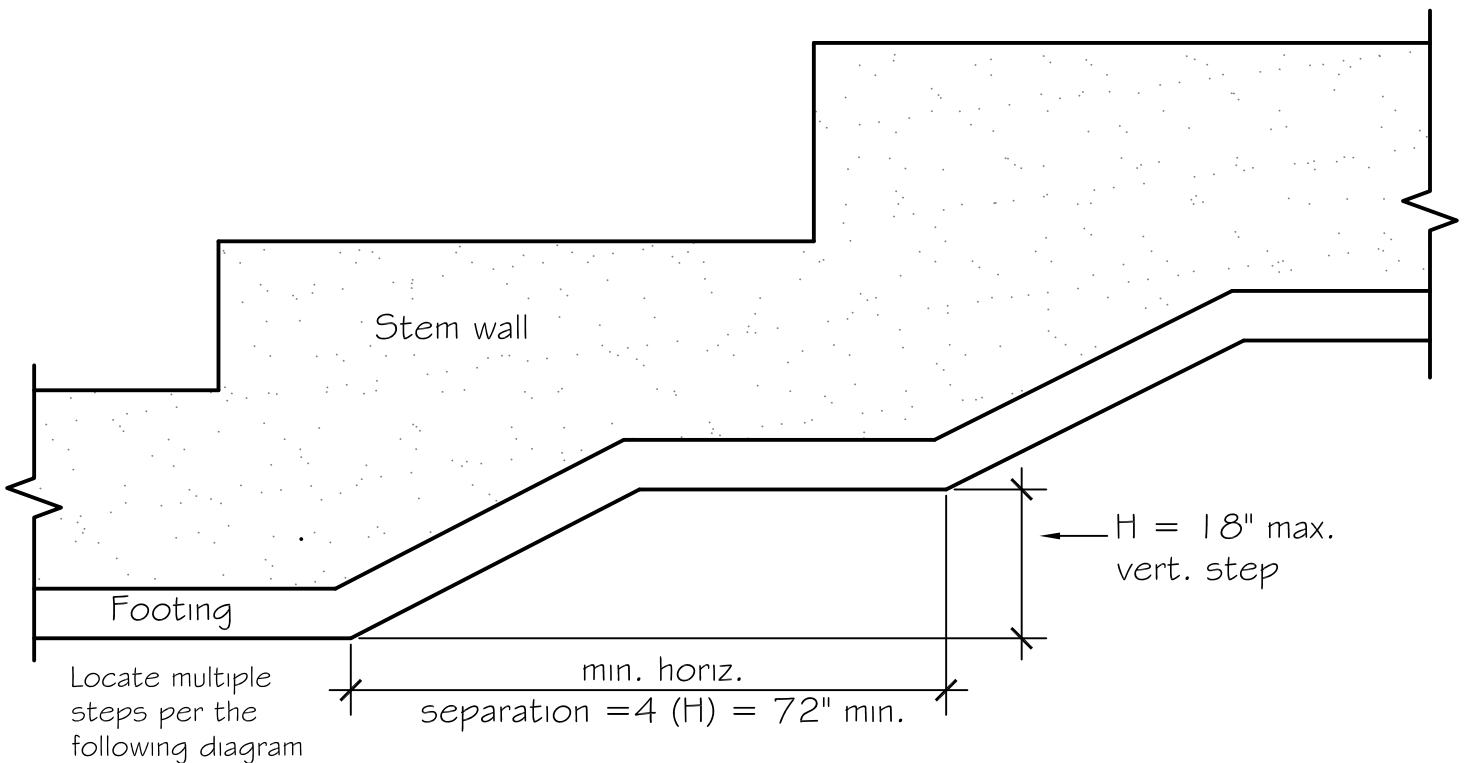


Wall Reinforcement at step



Wall Elevation at multiple step

2015 IRC