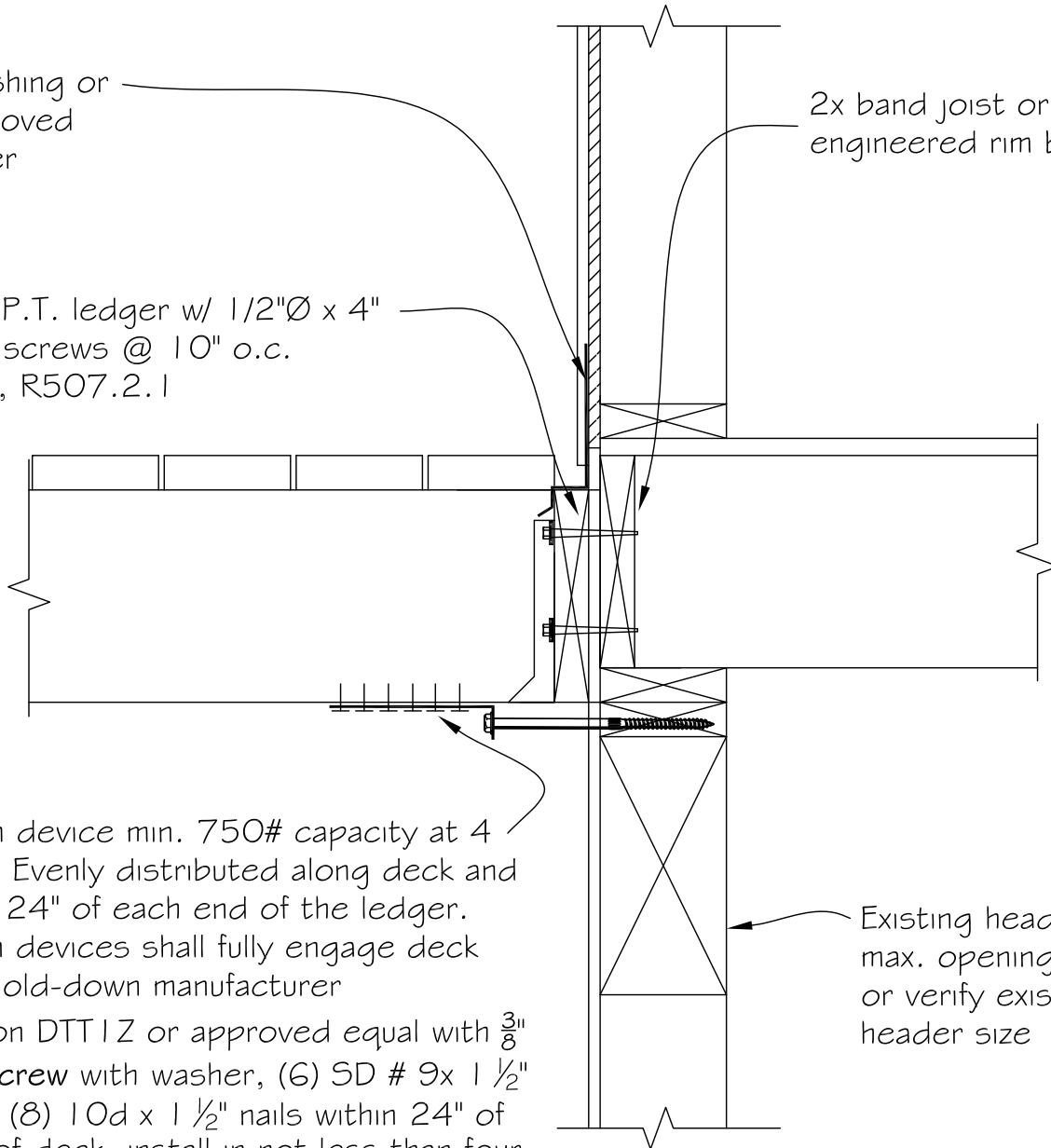


26 ga. flashing or
other approved
material per
R703.4

2 x 8 min. P.T. ledger w/ 1/2"Ø x 4"
long (min.) screws @ 10" o.c.
staggered, R507.2.1

2x band joist or min. 1 1/4"
engineered rim board



Hold-down device min. 750# capacity at 4
locations. Evenly distributed along deck and
one within 24" of each end of the ledger.
Hold-down devices shall fully engage deck
joist per hold-down manufacturer

(4) Simpson DTT1Z or approved equal with 3/8"
HDG lag screw with washer, (6) SD # 9 x 1 1/2"
screws Or (8) 10d x 1 1/2" nails within 24" of
each end of deck, install in not less than four
locations. R507.2.4.

Existing header
max. opening 8'
or verify existing
header size

NOTES:

1. All exposed lumber to be pressure treated (P.T.) or decay resistant. Fasteners for P.T. wood shall be hot-dipped galvanize or stainless steel.
2. All hardware to be installed per manufacturer specifications.

6B

DECK ATTACHMENT FOR LATERAL LOADS

for (4) 750# connectors