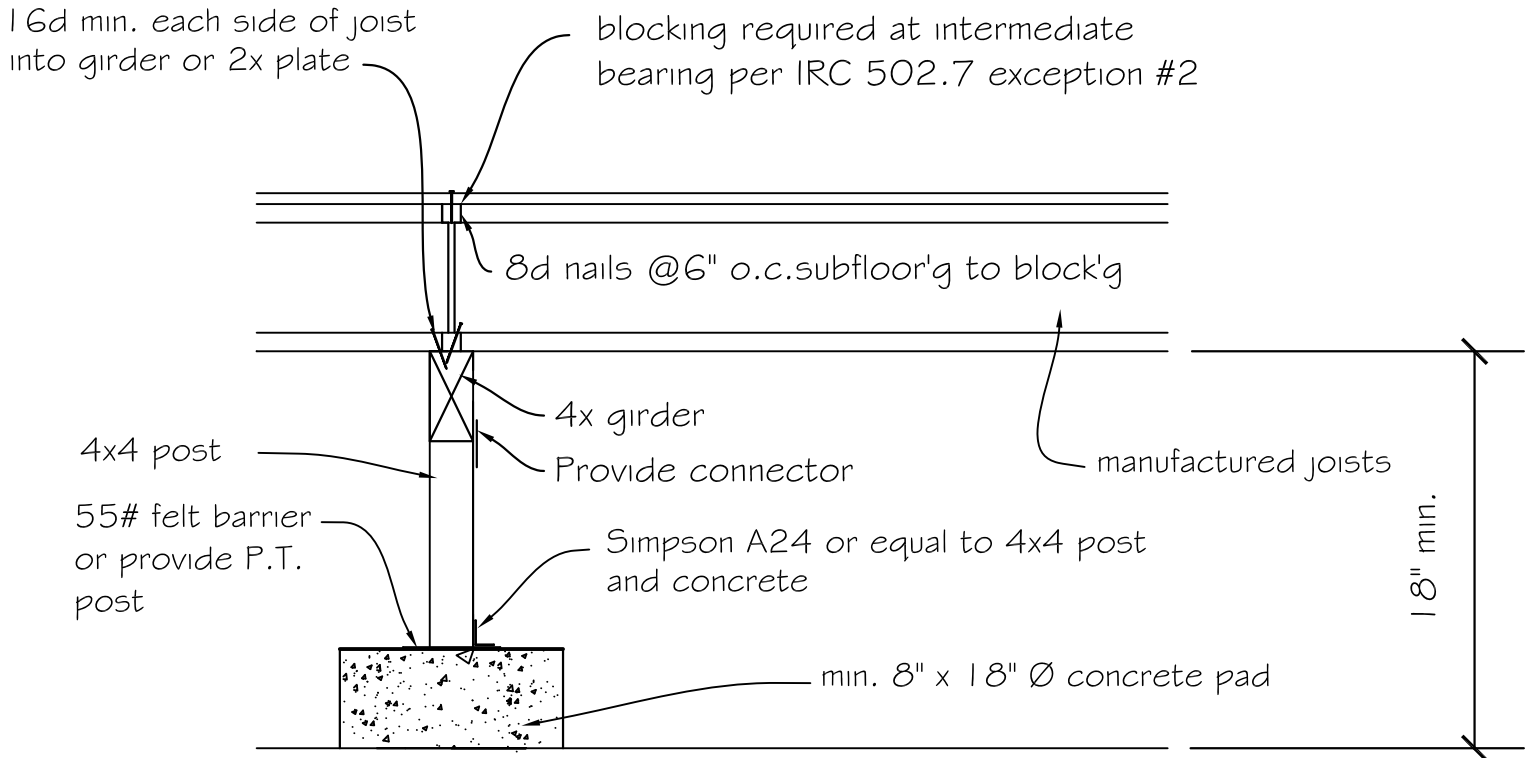
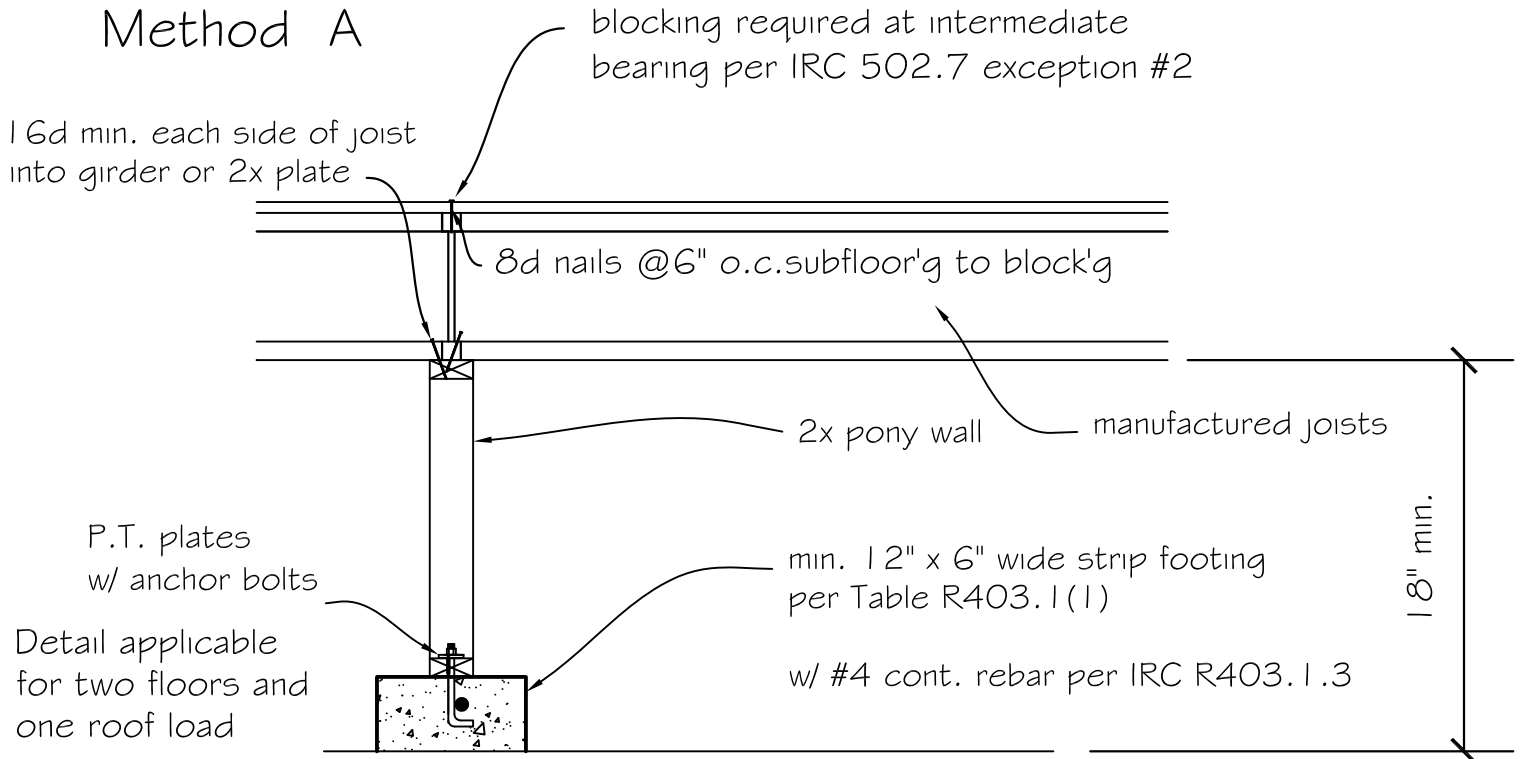


Southwest Washington Chapter of ICC

This construction detail is illustrative of the minimum standard
of construction based upon the 2015 IRC / WAC 51-51



Method A



Method B

NOTE: unobstructed 16"x24" under floor area way is required to all areas of the crawl space.