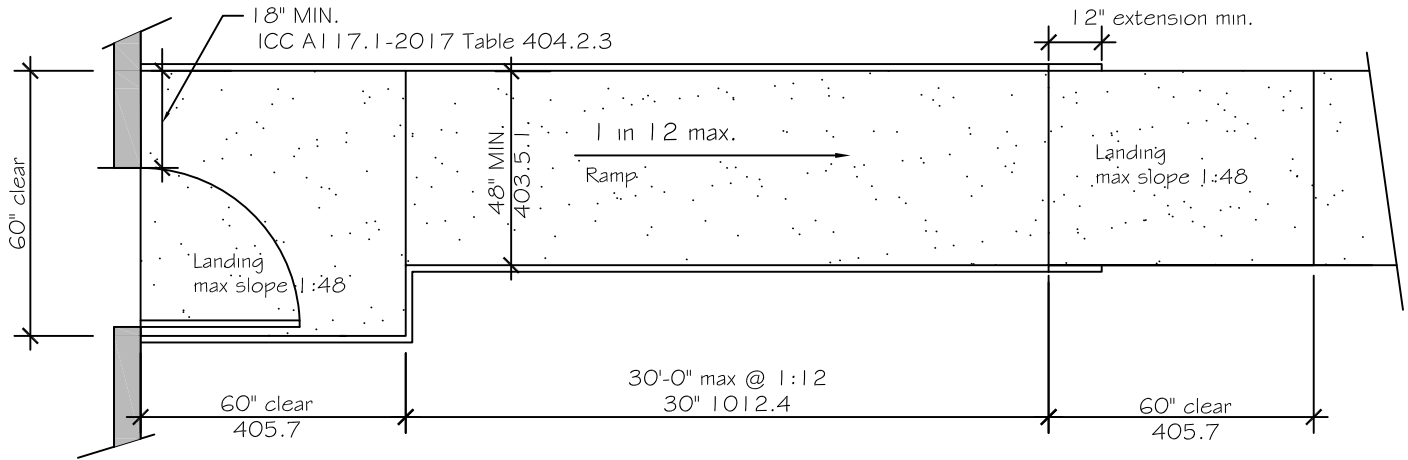




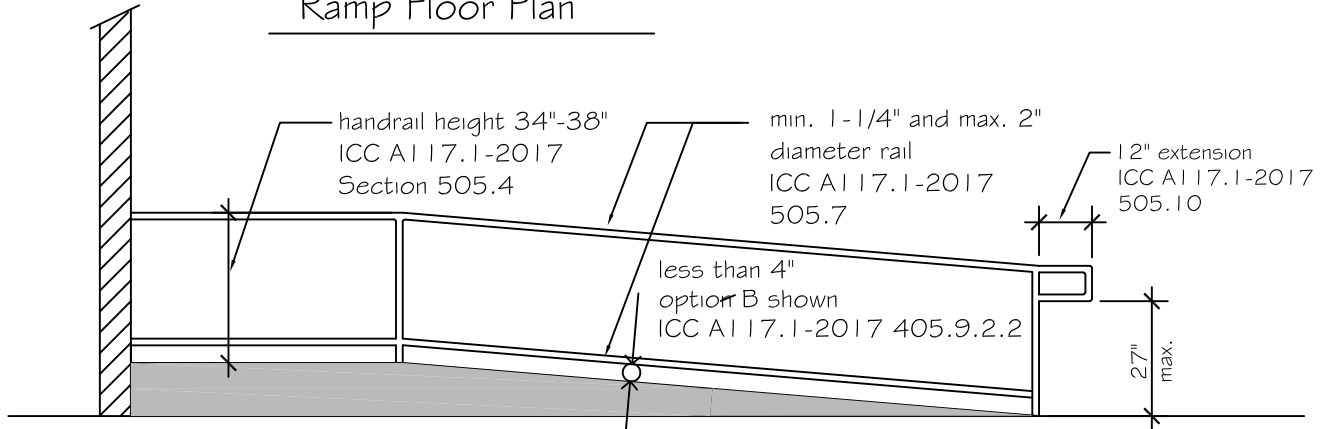
Southwest Washington Chapter of ICC

This construction detail is illustrative of the minimum standard of construction based upon the 2021 IBC / WAC 51-50 / ICC A117.1-2017

Visit our web site at: www.sww-icc.org



Ramp Floor Plan



IBC Ramp Elevation

Notes:

(Per ICC A117.1-2009 unless otherwise noted)

1. Minimum clear width of exterior ramps shall be 48 inches. See Section ICC A117.1 2017 403.5.1.
2. Maximum ramp slope runs shall be not steeper than 1 vertical in 12 horizontal per 405.2. The maximum cross slope of ramps and landings shall not be steeper than 1 vertical to 48 horizontal See Section ICC A117.1 2017 405.3 & 405.7.1.
3. Maximum rise of 30" vertical between landings. See Section ICC A117.1 2017 405.6.
4. 60" x 60" landing required where ramp changes direction. See Section ICC A117.1 2017 405.7.4 & IBC 1012.6.4.
5. Ramp runs with a rise greater than 6" shall have handrails on both sides complying with IBC 1012.8 and ANSI standards. Ramp handrails shall extend 12" minimum beyond the top and bottom of ramp runs. See IBC 1014.6. Handrails shall have an outside diameter of 1-1/4" minimum and 2" maximum or comply with section ICC A117.1 2017 505.7.2 for noncircular cross sections. Clearance between handrails and adjacent surfaces shall be 1-1/2 inches clear See ICC A117.1 2017 505.5.
6. Edge protection required on each side of ramp per one of the following options: Extended floor of the ramp run and or ramp landing shall extend 12" beyond the inside face of the railing per Section 405.9.1; or provide a curb minimum 4" per ICC A117.1 2017 405.9.2.1, or a barrier that prevents the passage of a 4" diameter sphere where any portion of the sphere is within 4" of the floor per ICC A117.1 2017 405.9.2.2.
7. Maneuvering clearances at door shall comply with ICC A117.1 2017 404.2.3, Table 404.2.3.2 & Figure 404.2.3.2.
8. Guards required on open-sided walkway of ramp and landing where located more than 30" above the floor or grade below. See IBC 1015.2.
9. Surfaces shall be stable, firm, and slip resistant. Section ICC A117.1 2017 302.