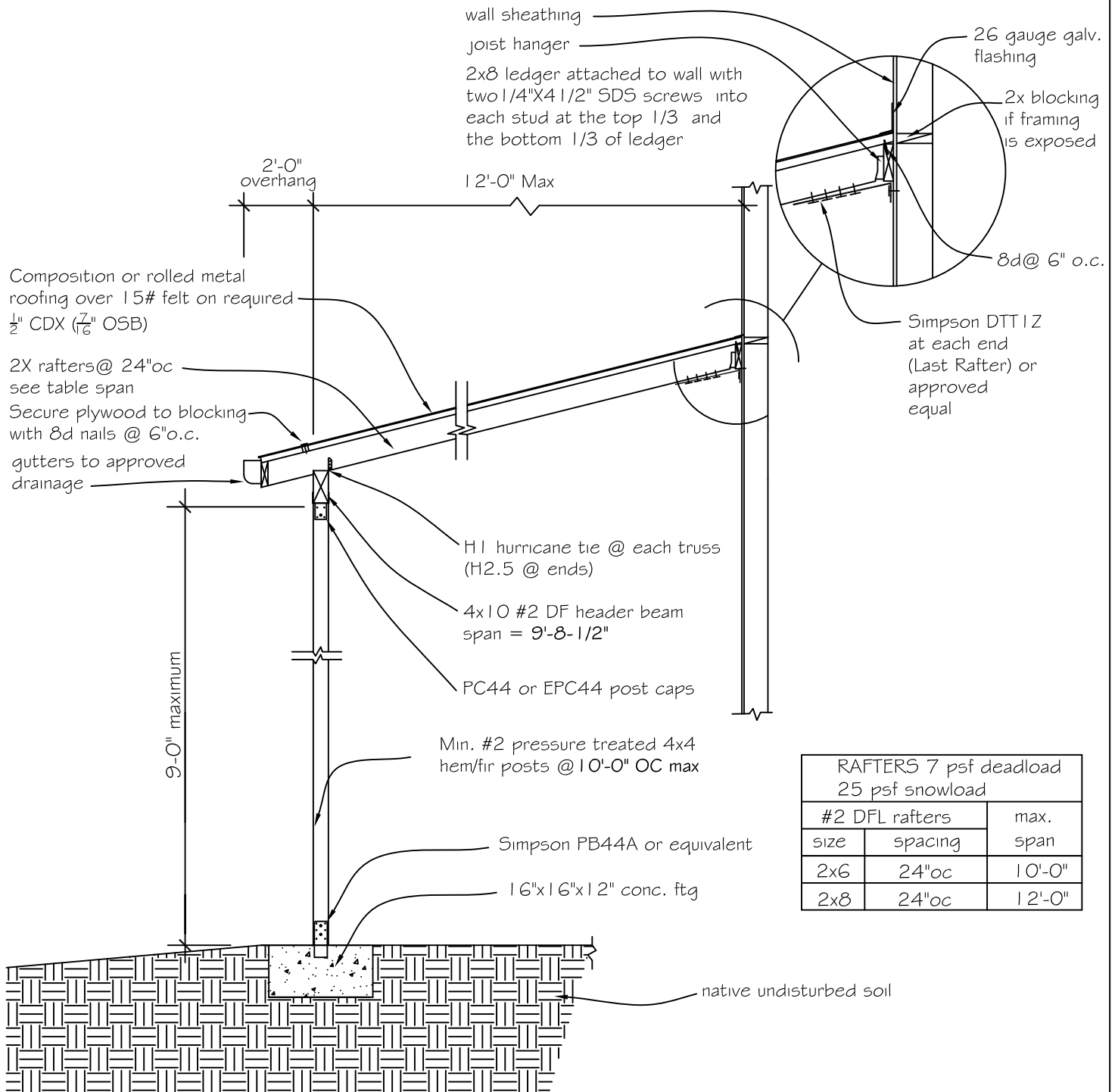


Southwest Washington Chapter of ICC

This construction detail is illustrative of the minimum standard of construction based upon the 2021 IRC / WAC 51-51

Visit our web site at: www.sww-icc.org



NOTES:

1. 2:12 slope min. for 3 tab composition roofing - for slopes 2:12 to 4:12, two layers of 15# felt required, applied shingle fashion.
2. All hardware to be installed per manufacturer specifications.
3. Moment base may be required per jurisdiction.