

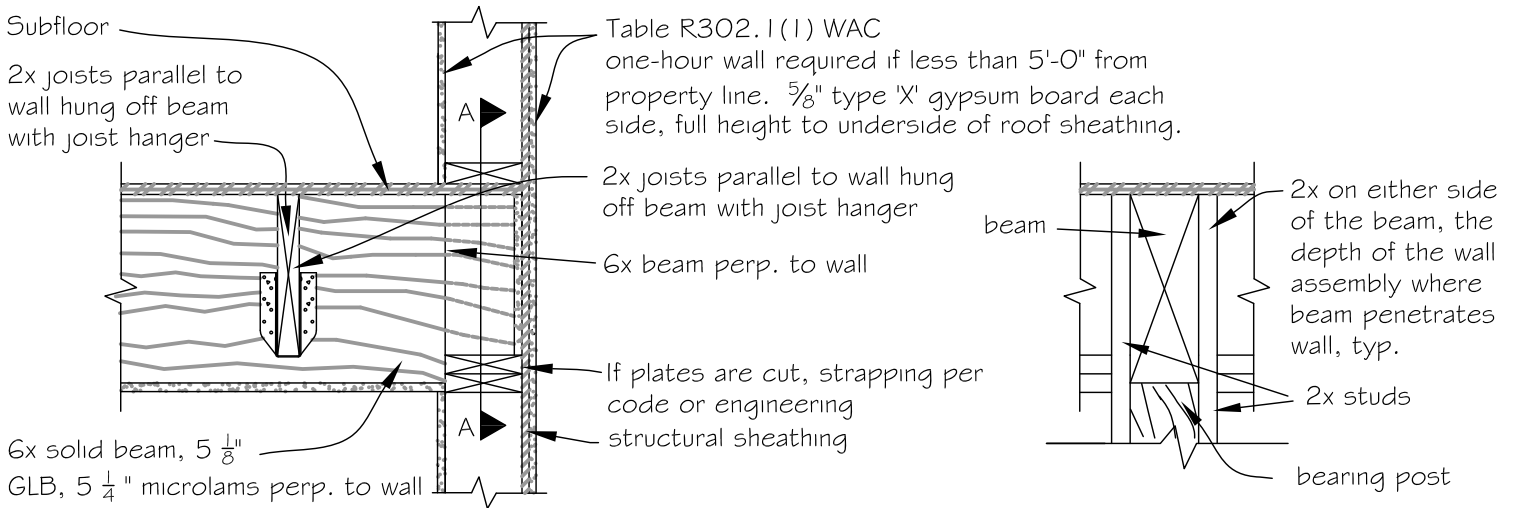
Section thru exterior 1 hr wall @ 2nd Floor

Minimum nominal 6x, 5 $\frac{1}{8}$ " GLB or 5 $\frac{1}{4}$ " microlams may penetrate one hour wall with engineering showing one hour fire endurance of beam per American Forest & Paper Association

DCA-2 criteria if left exposed. See also, IBC 722.6.

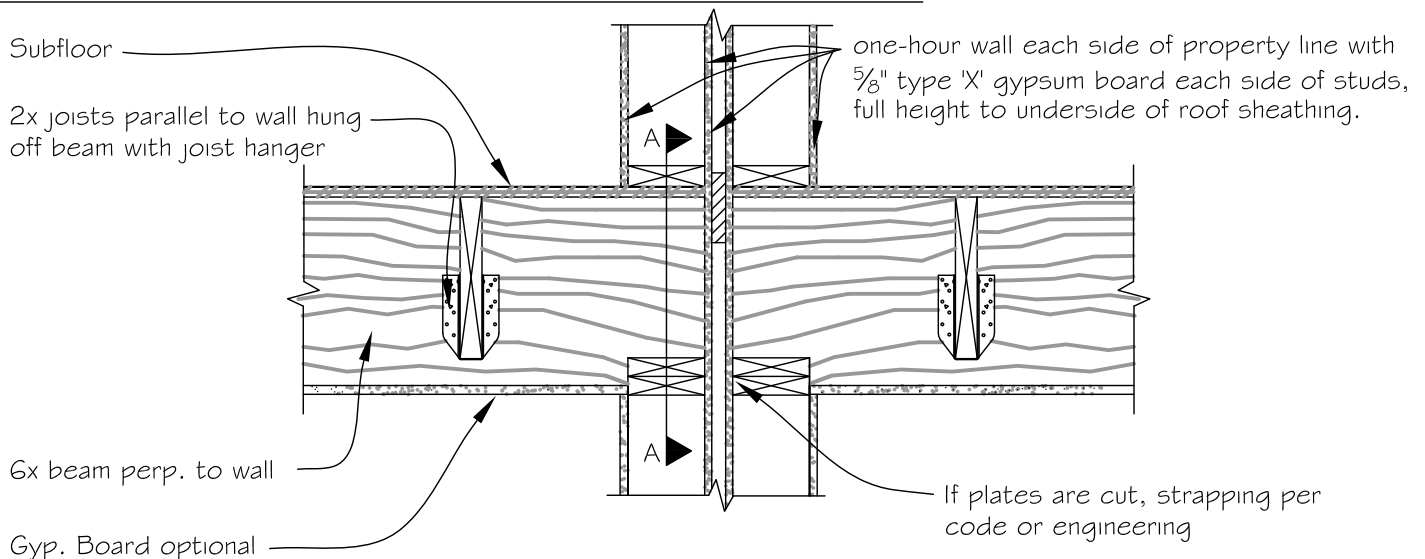
- Provide 2x6 full height stud each side of beam or provide beam to column connection. Engineering may be omitted if minimum 6x beam is encapsulated with $\frac{5}{8}$ " type 'X' gyp. board all around from support to support.
- Fire caulking at beam penetration.

Floor joists parallel to wall and perpendicular to beam are to be supported by top flange hangers.



BEAM PENETRATION AT EXTERIOR WALL 1 HOUR WALL

A-A detail



BEAM PENETRATION AT ZERO LOT LINE 1 HOUR WALL