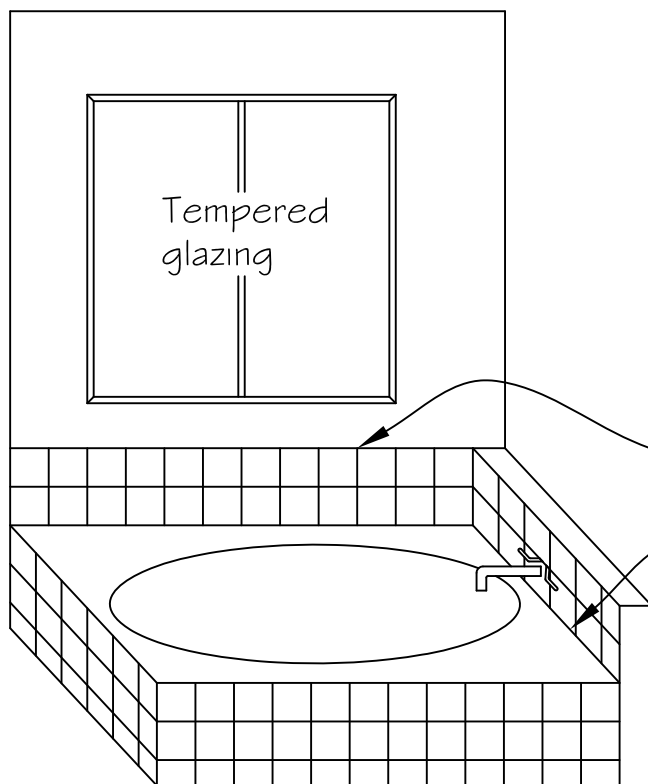
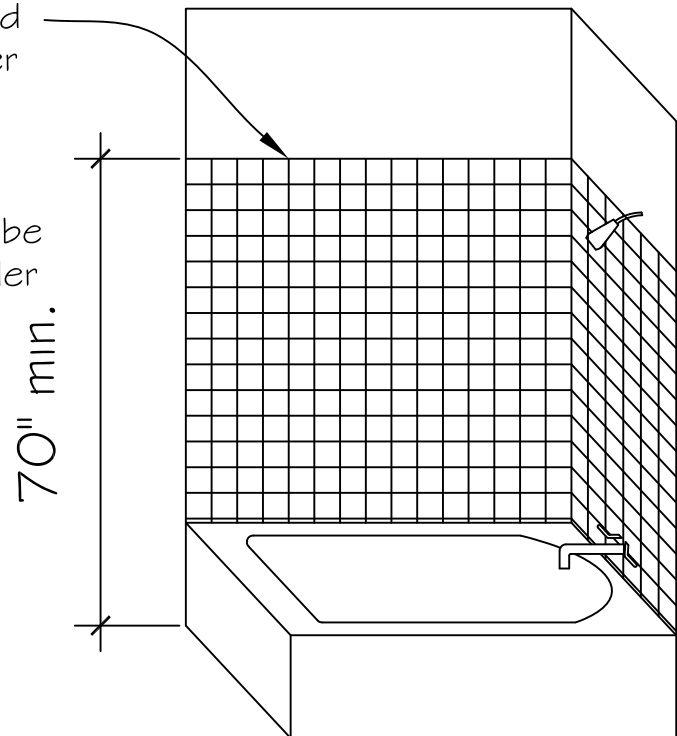


R702.3.7 Water resistant gypsum board (greenboard) is allowed in tub or shower compartment for adhesive application of ceramic tile or other required nonabsorbent finish material. Water-resistant gypsum board shall not be installed over a class I or II vapor retarder in a shower or tub compartment.

TUB/SHOWER OR SHOWER



SOAKING OR JETTED TUB

Vapor barrier not allowed behind water resistant gypsum board

Water resistant gypsum board allowed at soaking tub surround with no shower fixture

Backer Board Materials - Table R702.4.2

- Glass mat gypsum backing panel
- fiber-reinforced gypsum panels
- Nonasbestos fiber-cement backer board
- Nonasbestos fiber mat reinforced cementitious backer units

**NOTE:**

**Water-resistant gypsum backing board.**

1. Use shall be permitted on ceilings where framing does not exceed 12" o.c. for  $\frac{1}{2}$  inch and 16" o.c. for  $\frac{5}{8}$ ".
2. It shall not be installed over a vapor retarder in a tub or shower compartment.
3. It shall not be used where there will be direct exposure to water, or in areas subject to continuous high humidity, per R702.3.7.1
4. Install per manufacturer's recommendations.