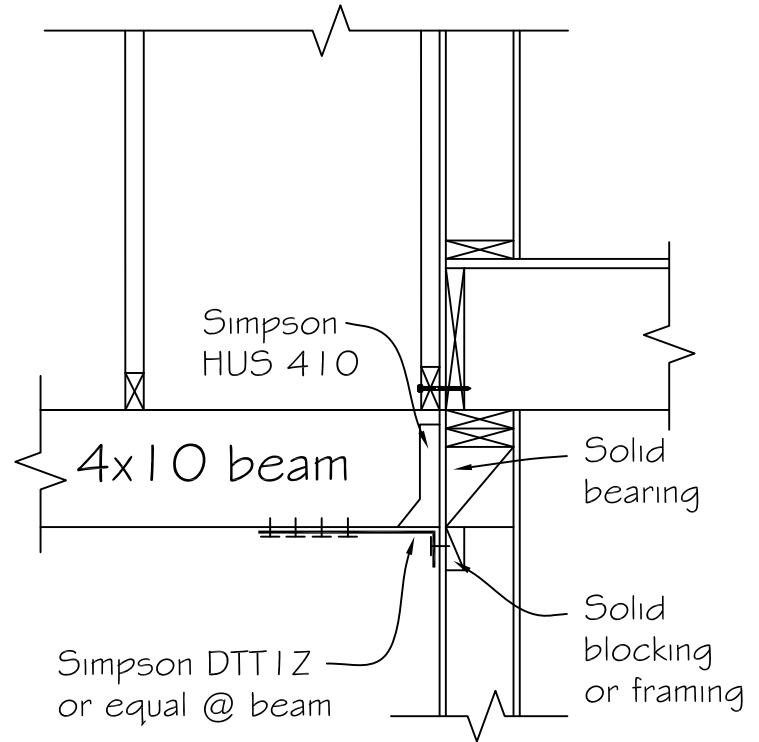


Option A



Option B