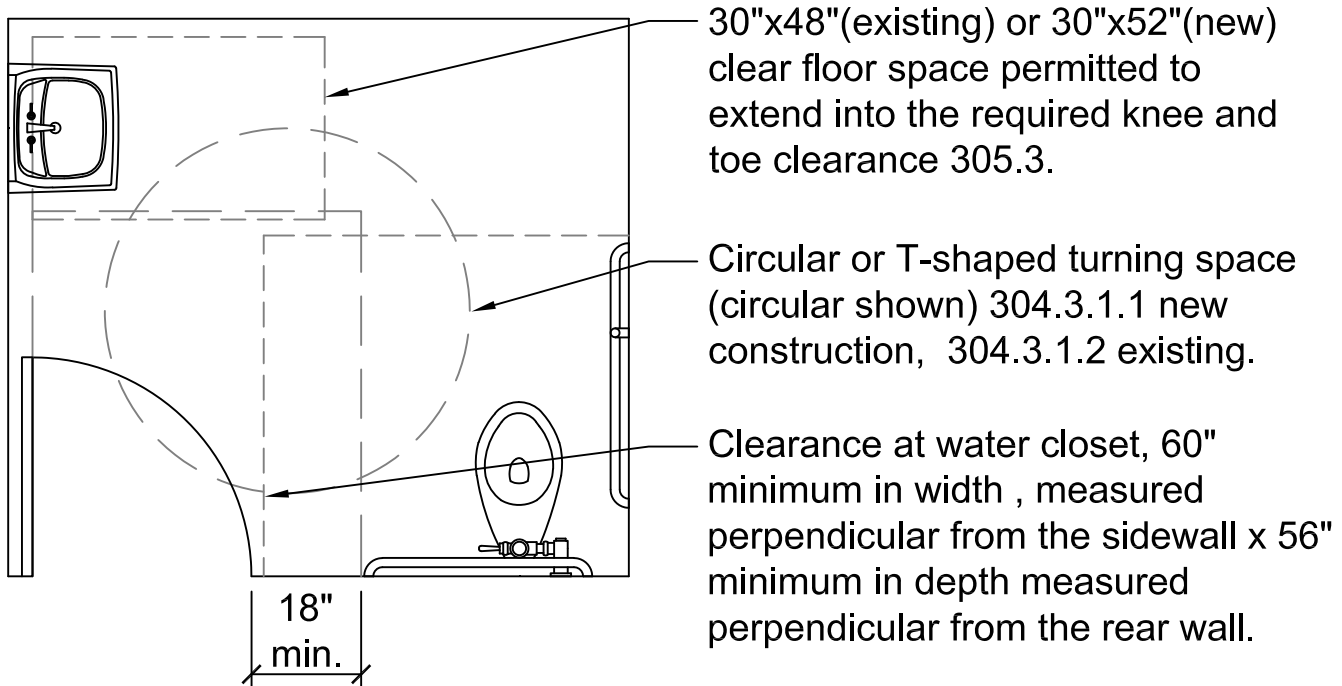
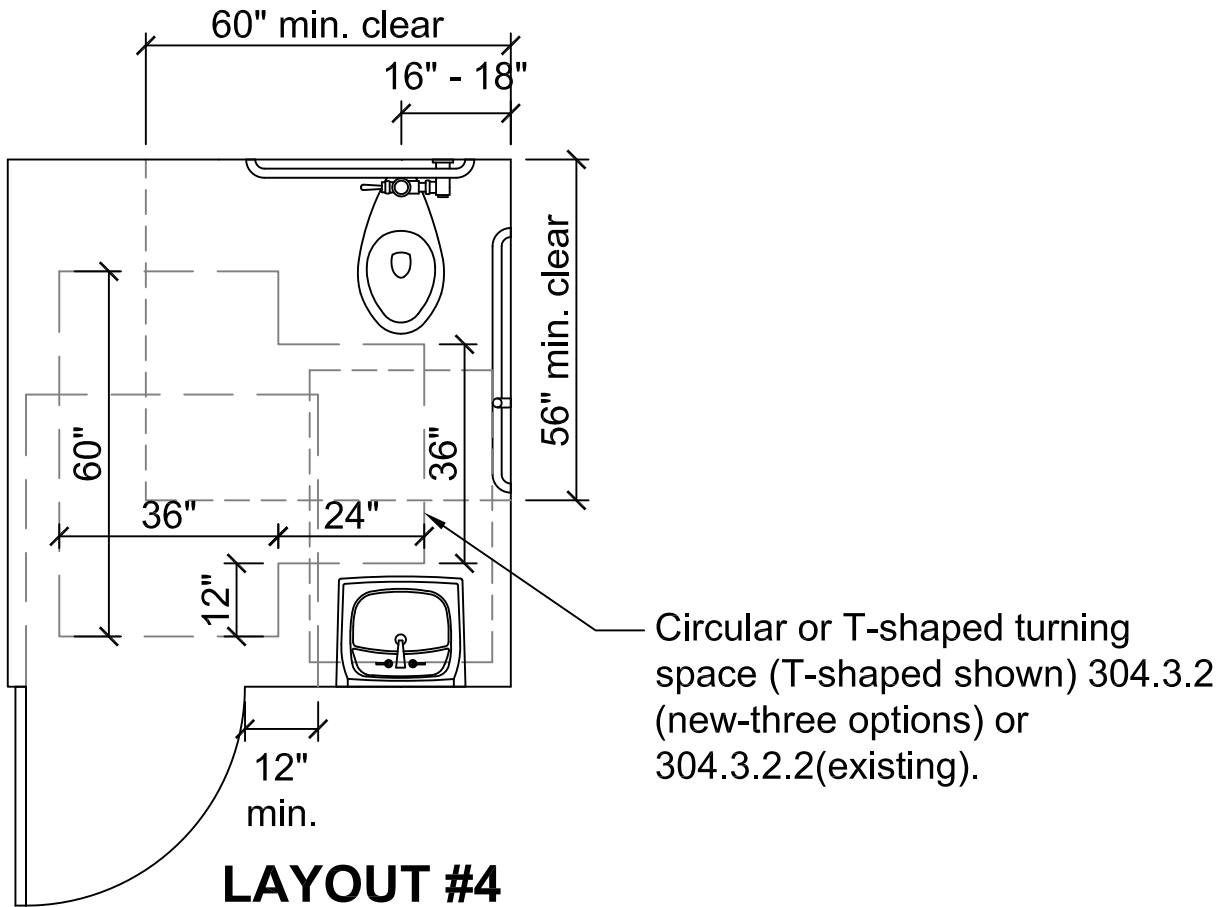
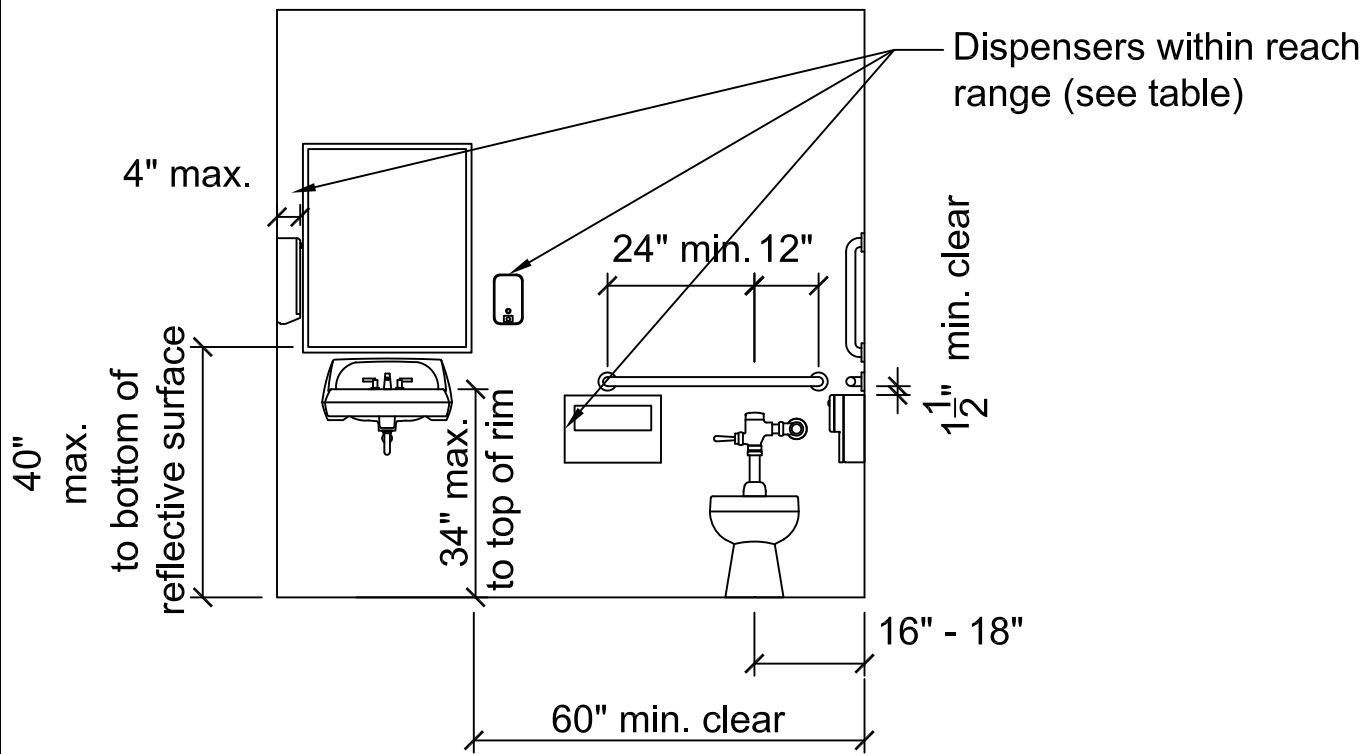


This construction detail is illustrative of the minimum standard of construction based upon the 2021 IBC / WAC 51-51, ICC A117.1-2017  
 Visit our web site at: [www.sww-icc.org](http://www.sww-icc.org)

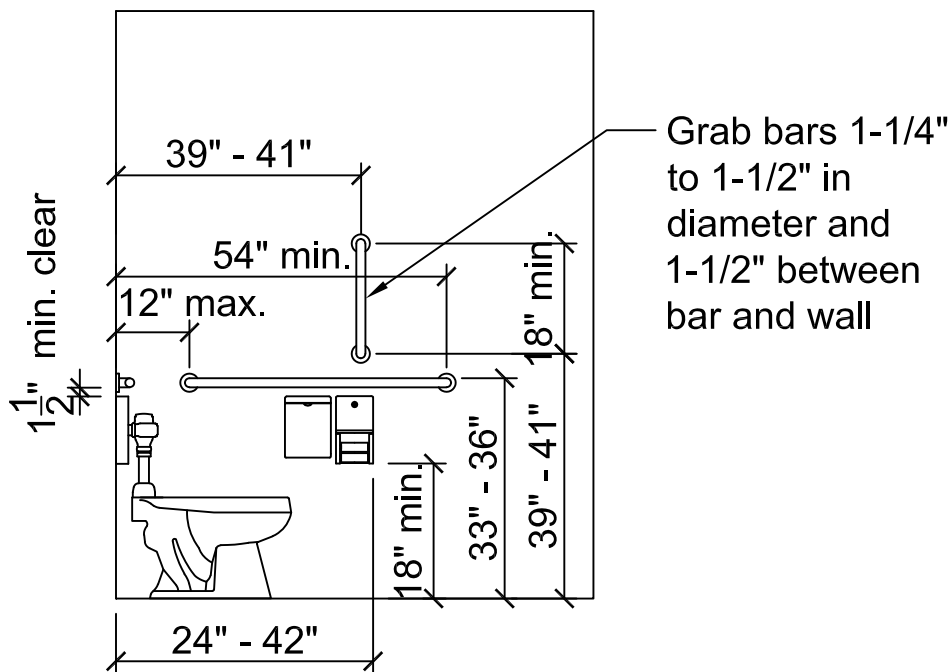


**LAYOUT #3**

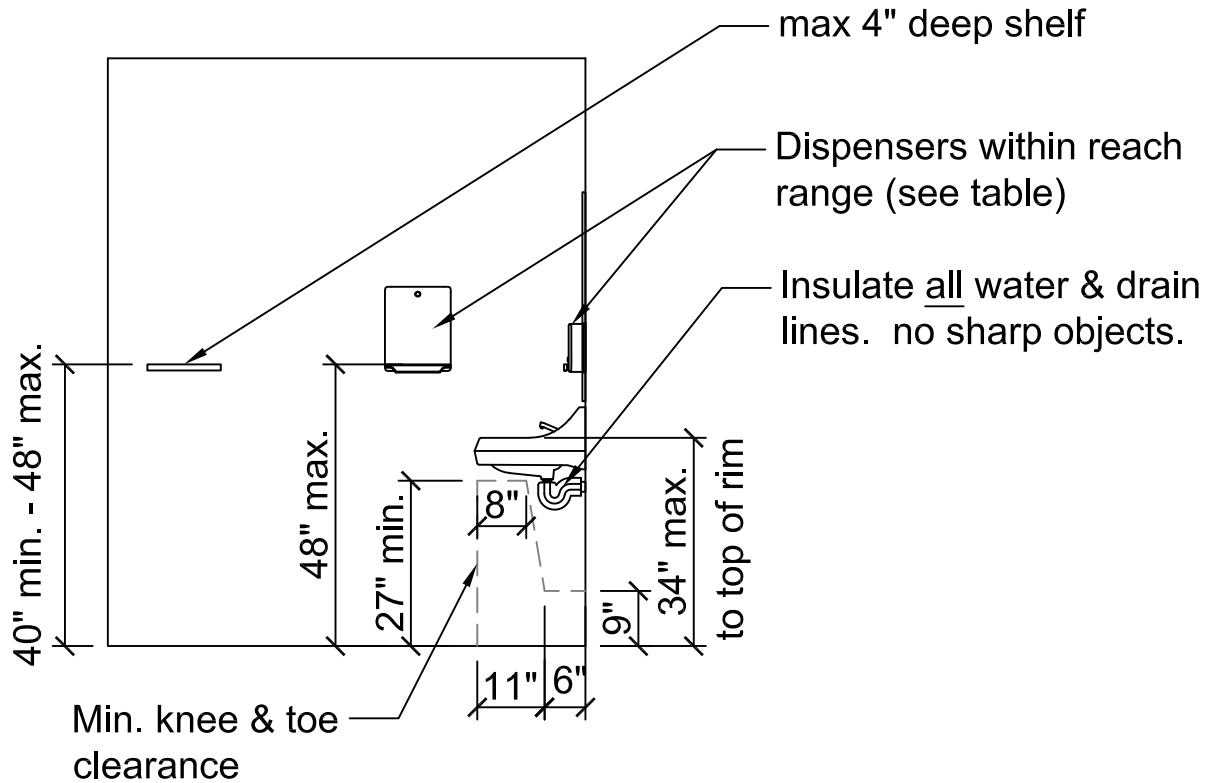




## BACK WALL



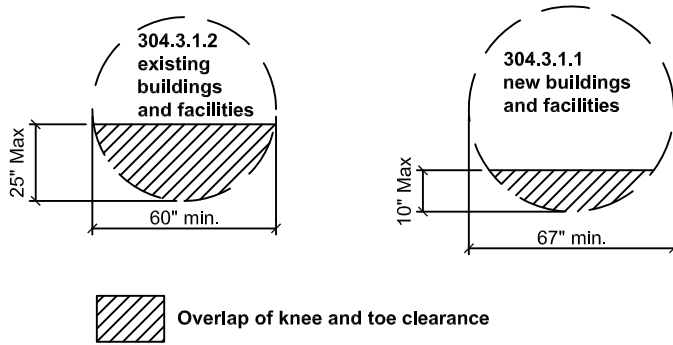
## SIDE WALL



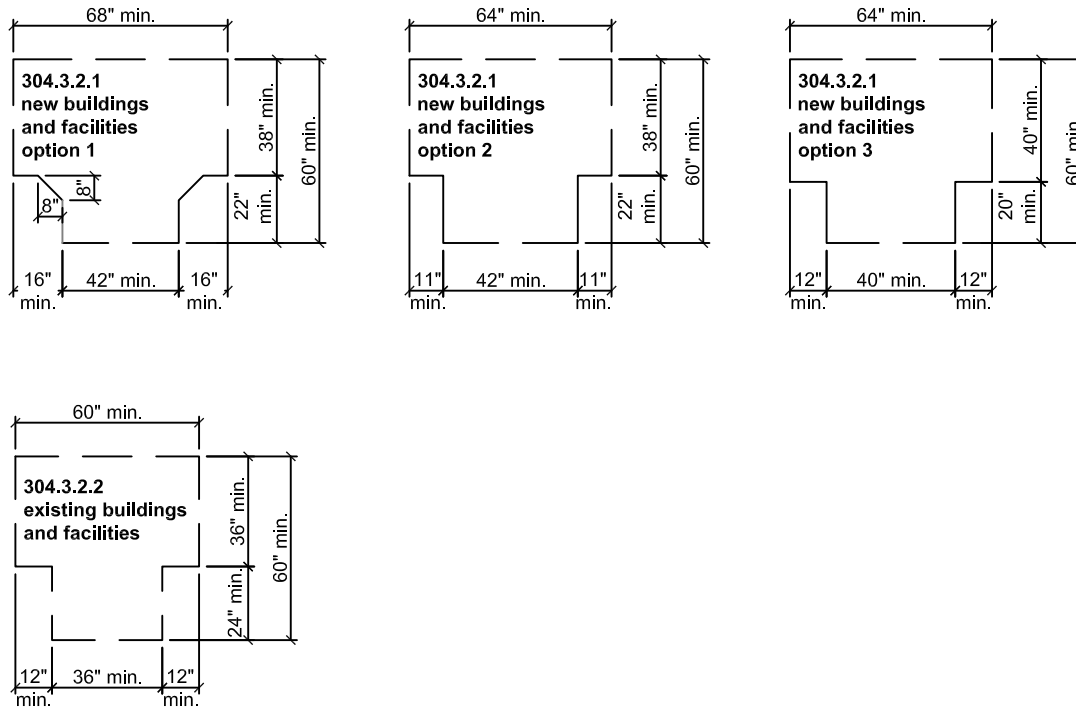
OBSTRUCTION DEPTH, MAX	DISPENSER REACH HT. MAX.
0.5 IN	48 IN
2 IN	46 IN
5 IN	42 IN
6 IN	40 IN
9 IN	36 IN
11 IN	34 IN

## REACH RANGE TABLE 603.6

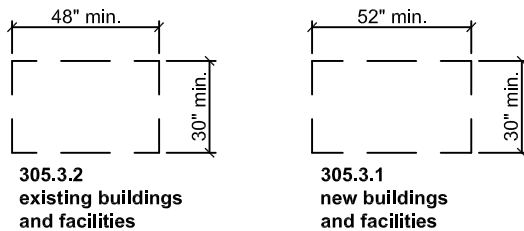
Where dispensers, outlets, or controls are installed above obstructions (lavatories, etc), ensure max. depth and height in accordance with ICC/ANSI A117.1 Table 603.6



### CIRCULAR TURNING SPACE SIZE AND OVERLAP



### T-SHAPED TURNING SPACE SIZE AND OVERLAP



### SIZE OF CLEAR FLOOR SPACE