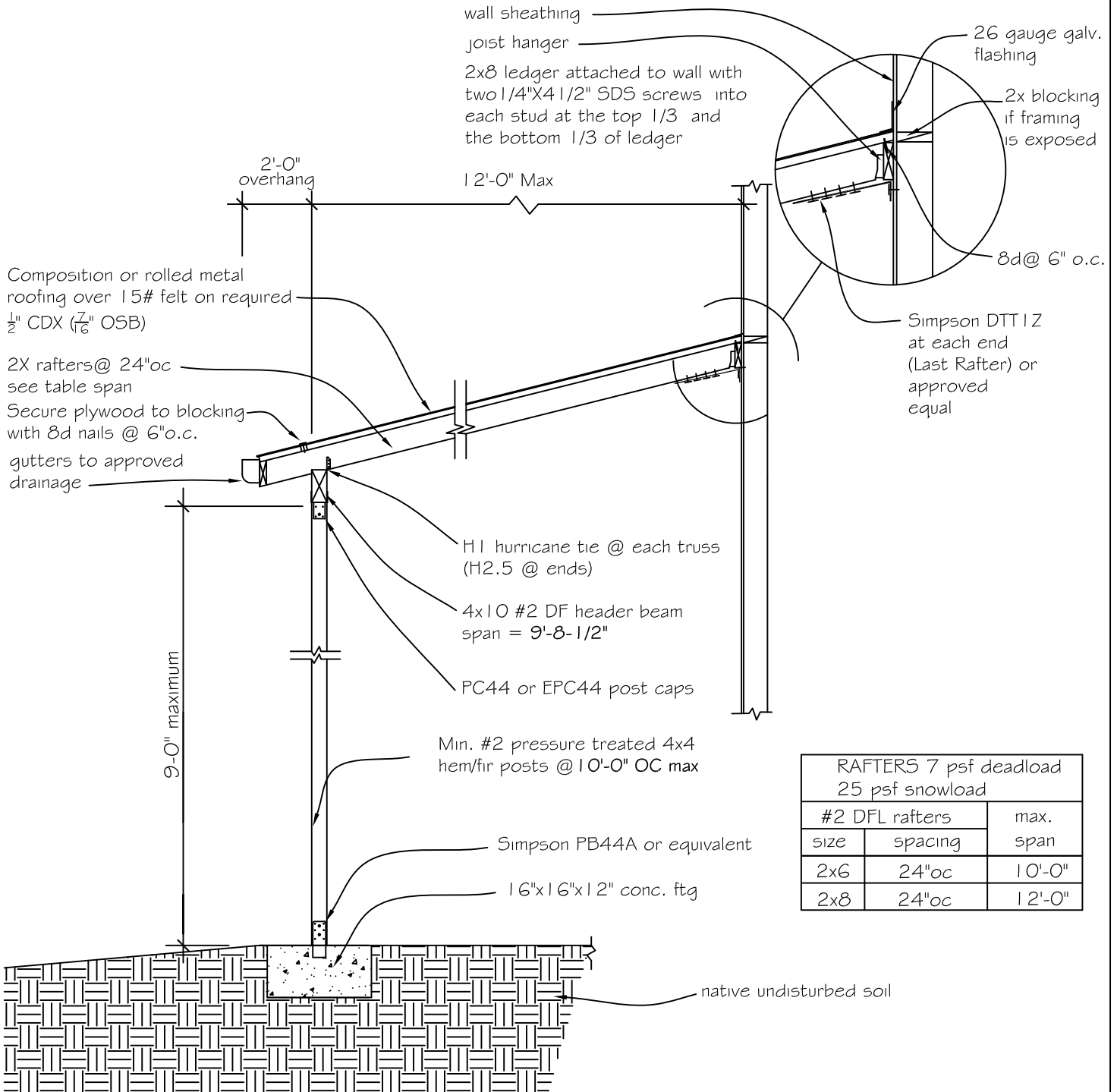




# Southwest Washington Chapter of ICC

This construction detail is illustrative of the minimum standard of construction based upon the 2021 IRC / WAC 51-51

Visit our web site at: [www.sww-icc.org](http://www.sww-icc.org)



**NOTES:**

1. 2:12 slope min. for 3 tab composition roofing - for slopes 2:12 to 4:12, two layers of 15# felt required, applied shingle fashion.
2. All hardware to be installed per manufacturer specifications.