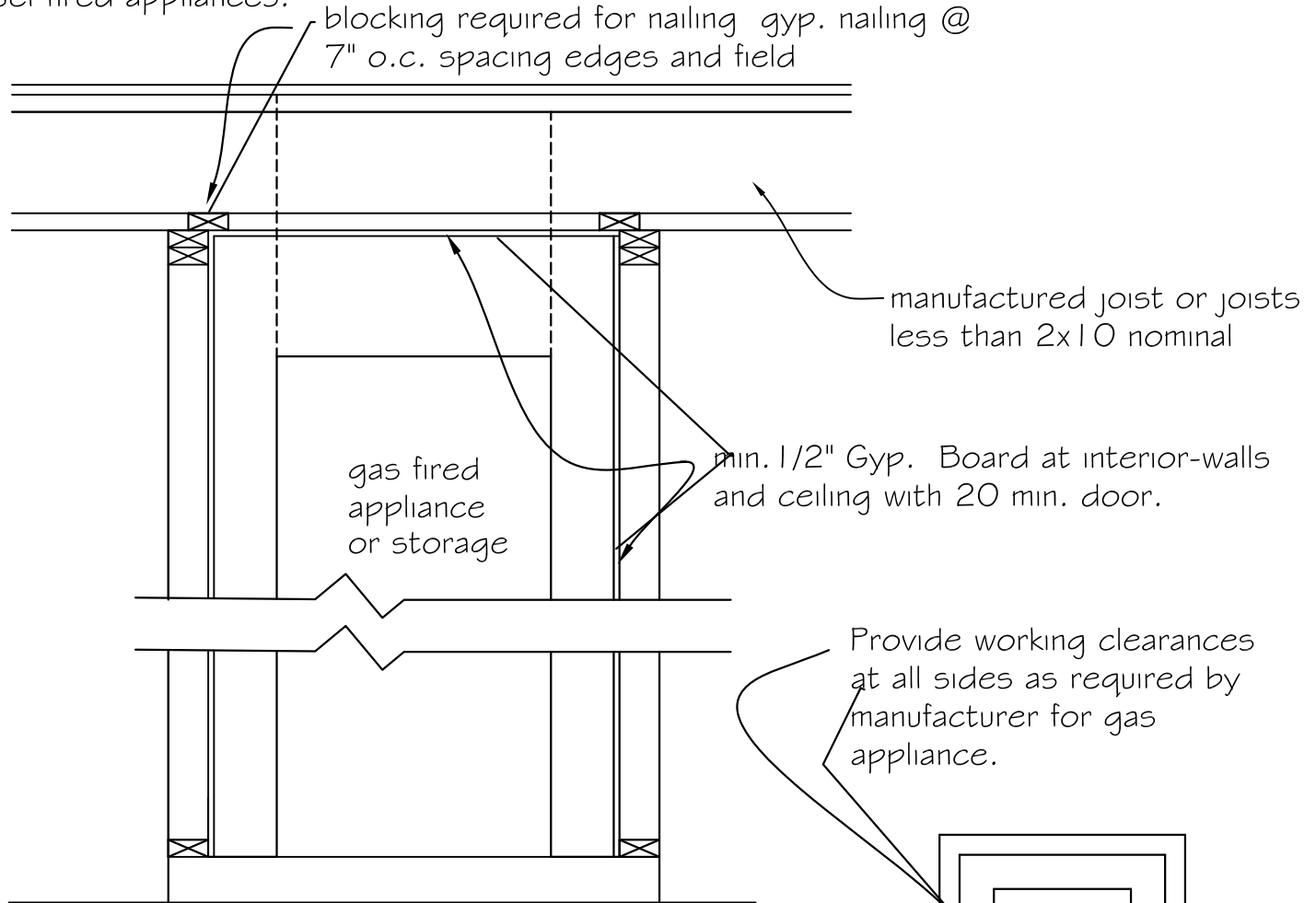
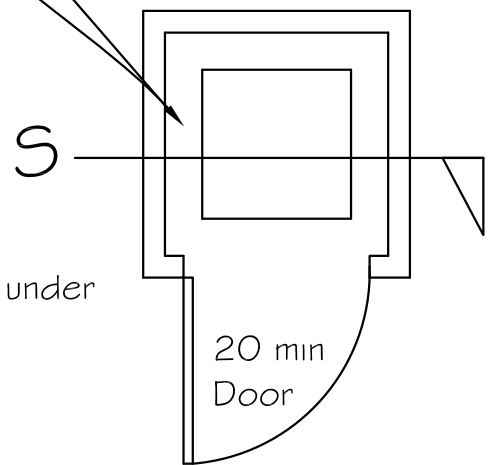


R302.13 Fire protection of floor assemblies required when using manufacturer joist or or sawn cut lumber less than 2x10 if under floor space is used as storage or has fuel fired appliances.



Section



Plan

This detail provides an exception to the fire protection requirement of engineered wood floor joist when using under floor space for fuel fired appliances or storage.