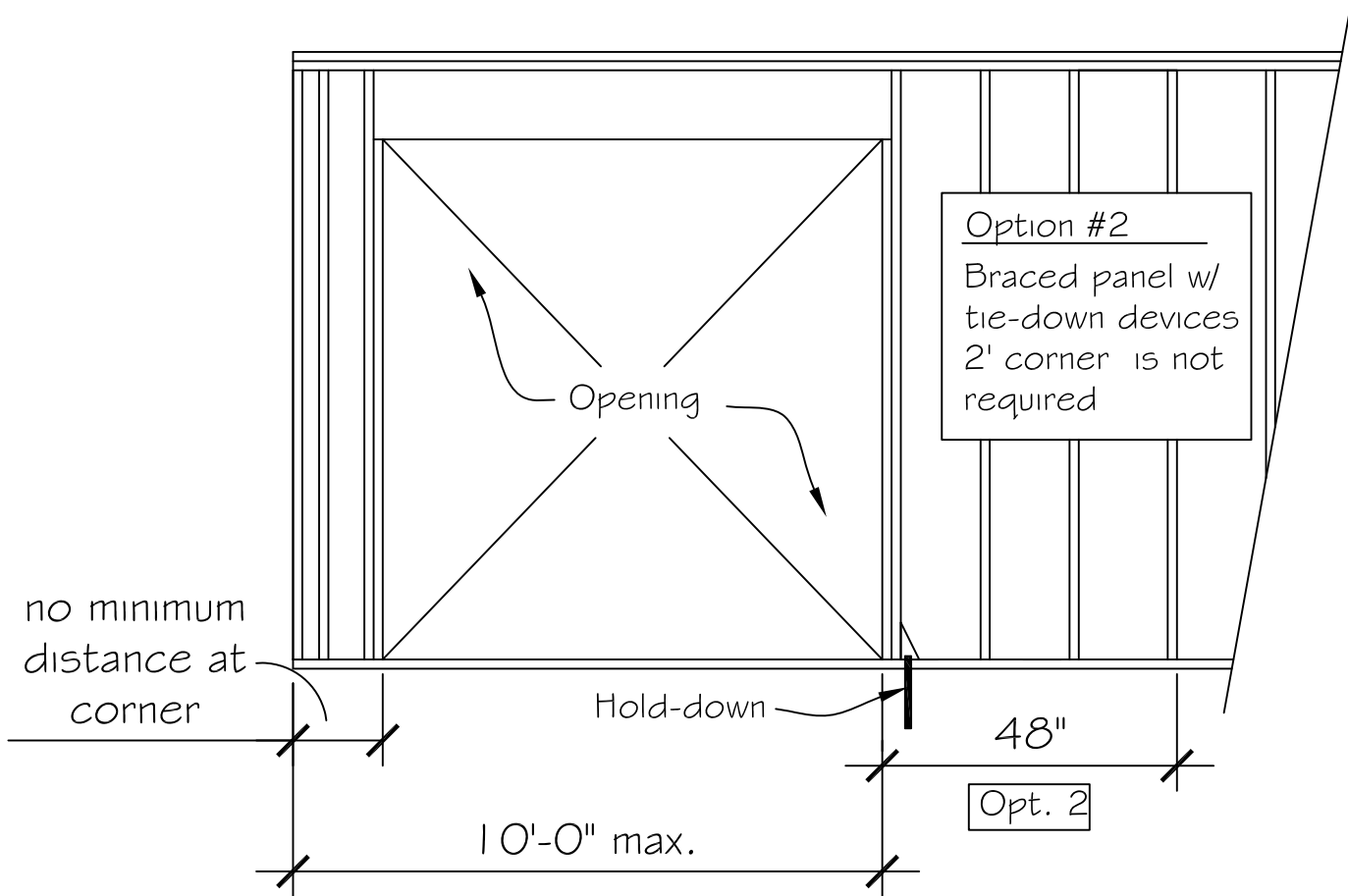


IRC Section R602.10.2.2- Braced wall lines at exterior walls shall have a braced wall panel located at each end of the braced wall line. EXCEPTION: For braced wall panel construction Method WSP of Section R602.10.4 (wood structural panel sheathing), the braced wall panel shall be permitted to begin no more than 10 feet from each end of the braced wall line provided one of the following is satisfied in accordance with Figure R602.10.2.2:

1. A minimum 24-inch-wide panel is applied to each side of the building corner and the two 24-inch-wide panels at the corner are attached to framing in accordance with Figure R602.10.7.
2. The end of each braced wall panel closest to the corner shall have a hold-down device fastened to the stud at the edge of the braced wall panel closest to the corner and to the foundation or framing below. The hold-down device shall be capable of providing an uplift allowable design value of at least 1,800 pounds. The hold-down device shall be installed in accordance with the manufacturer's recommendations.



Option 2 = Min. 48" brace wall panel per R602.10.2.2.1#2. The end of each braced wall panel closet to the end of the braced wall line shall have an 1,800 lb. hold-down device fastened to the stud at the edge of braced wall panels closet to the corner and to the foundation or framing below as shown in end condition 5 of figure R602.10.7.

04-13-18