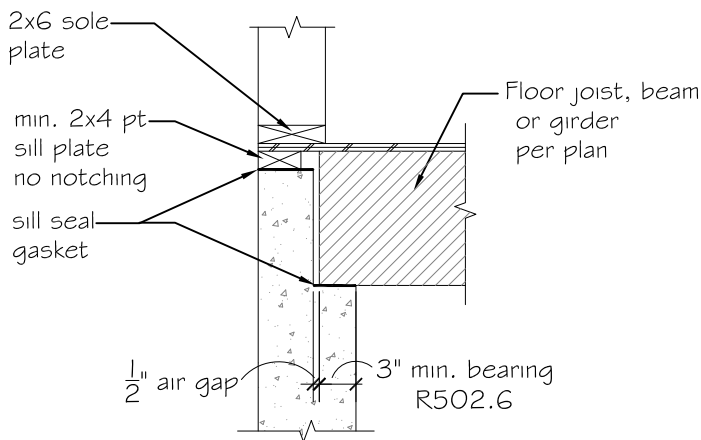


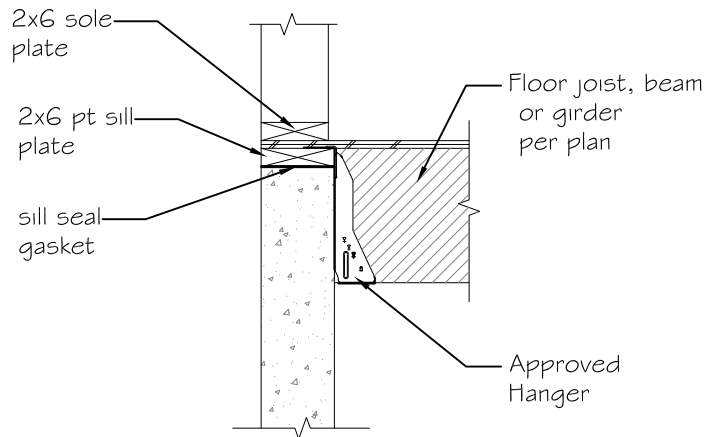
Southwest Washington Chapter of ICC

This construction detail is illustrative of the minimum standard of construction based upon the 2021 IRC / WAC 51-51

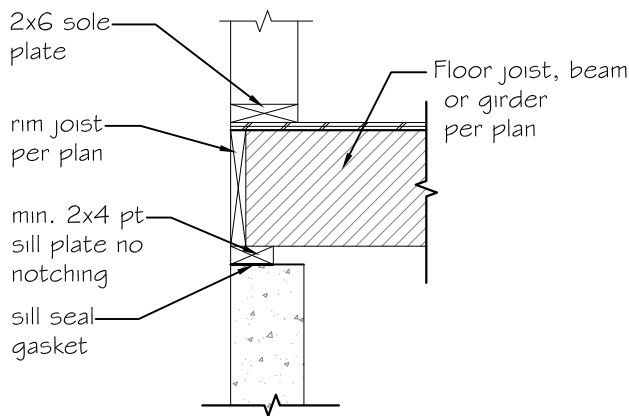
Visit our web site at: www.sww-icc.org



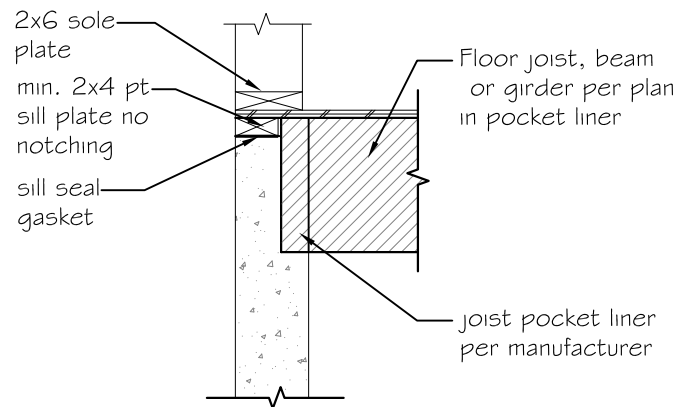
1 | 8" Stem wall



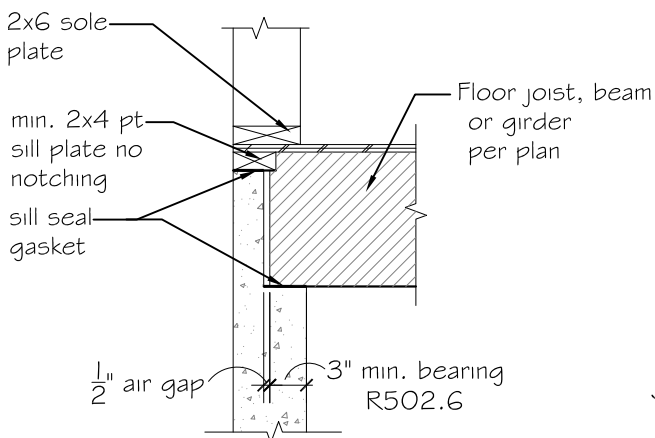
2 | 6" Stem wall with approved joist hanger



3 | Joist bearing on top of 6" stem wall



4 | 6" Stem wall with joist liner pocket.
As approved by jurisdiction for alternative, materials, design and methods of construction



5 | 6" Stem wall with notched floor joist, beam or girder per plan

Notes:

R502.6 Bearing. ...The ends of each joist, beam or girder shall have not less than 3" of bearing on masonry or concrete or by the use of approved joist hangers. The bearing on masonry or concrete shall be direct, or a sill plate of 2" minimum nominal thickness shall be provided under the joist, beam or girder.

* Vertical point loads must have full bearing