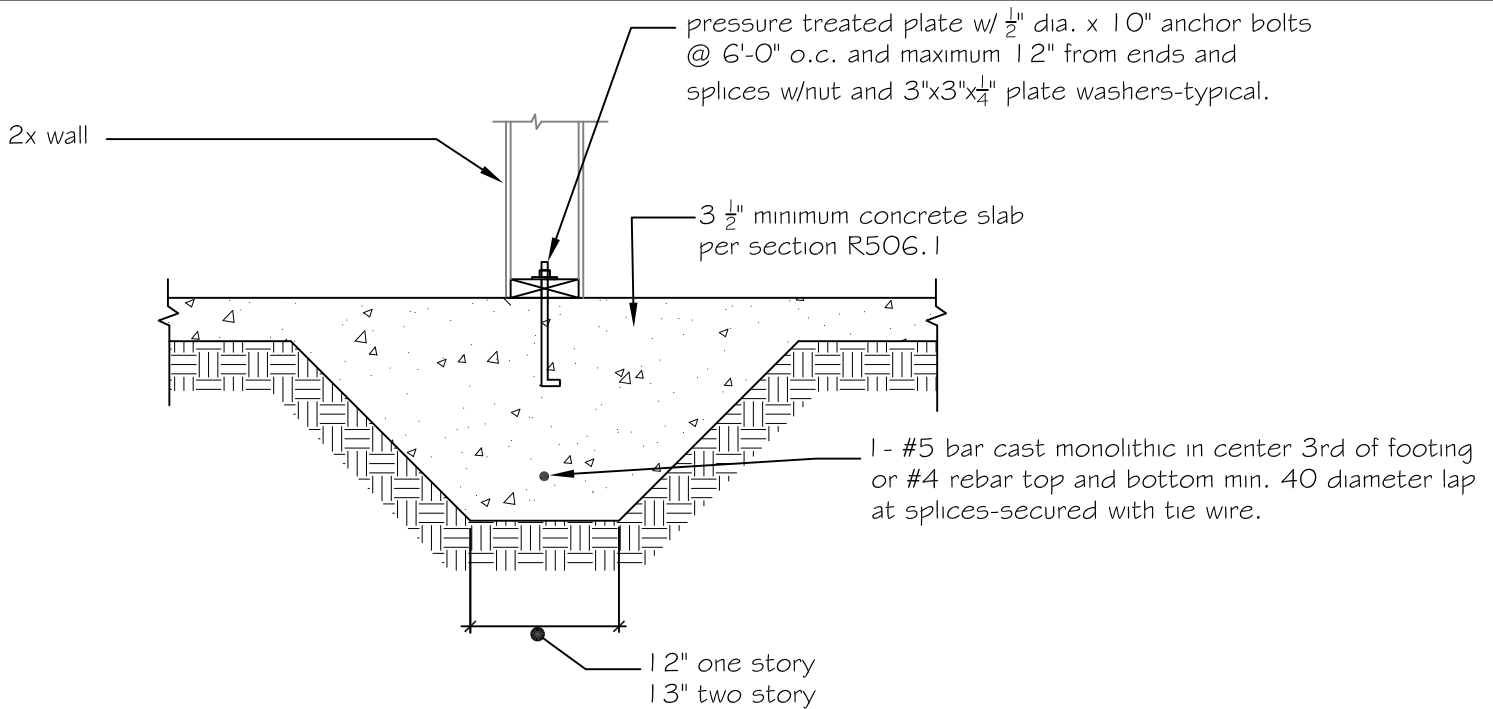


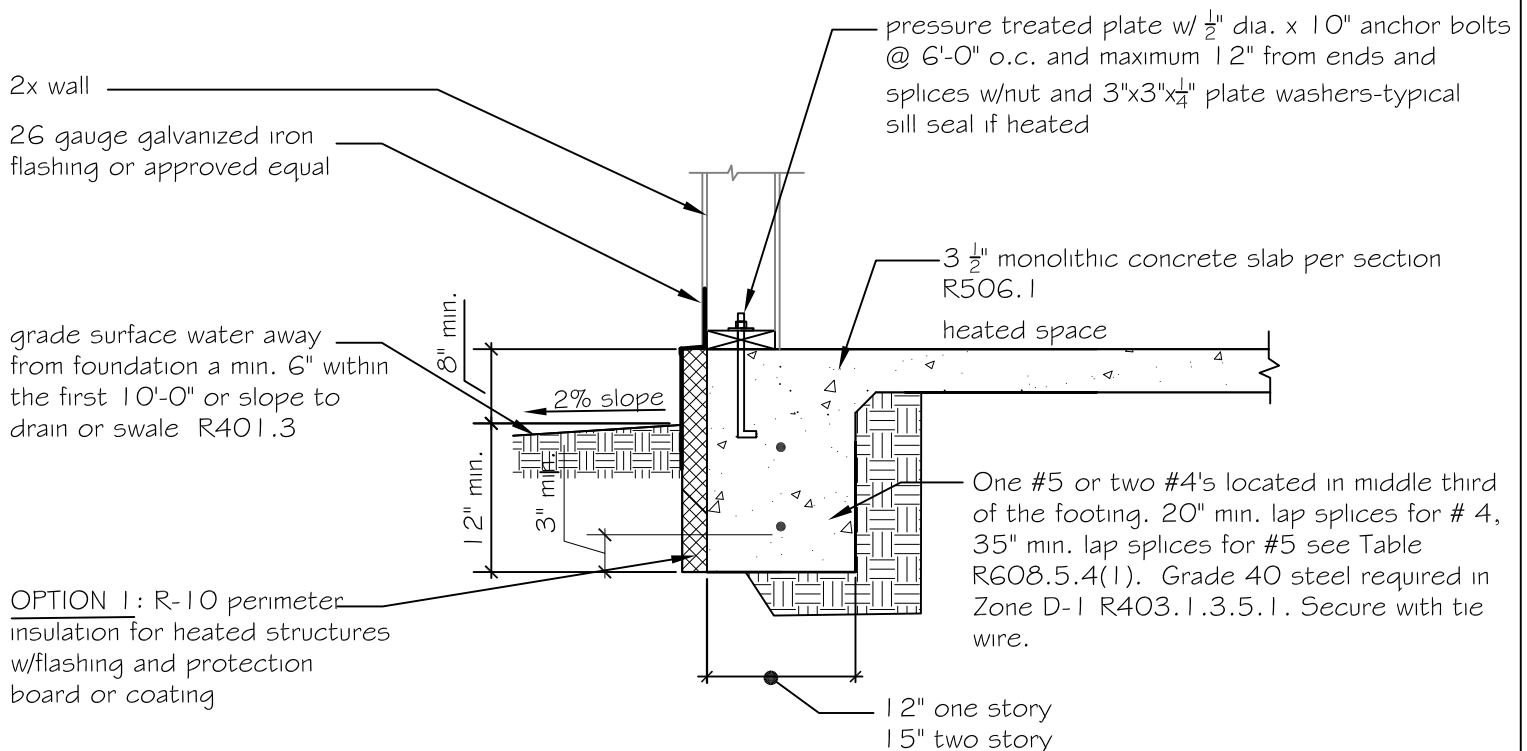
Southwest Washington Chapter of ICC

This construction detail is illustrative of the minimum standard of construction based upon the 2021 IRC / WAC 51-51

Visit our web site at: www.sww-icc.org



- 1 Interior thickened Slab at bearing walls or braced wall lines
- 2 Design based on 1500#/ft soil bearing capacity. See Table R403.1.



- 2 Monolithic slab/footing Perimeter foundation drain unless not required R405
- 2 Design based on 1500#/ft soil bearing capacity. See Table R403.1.