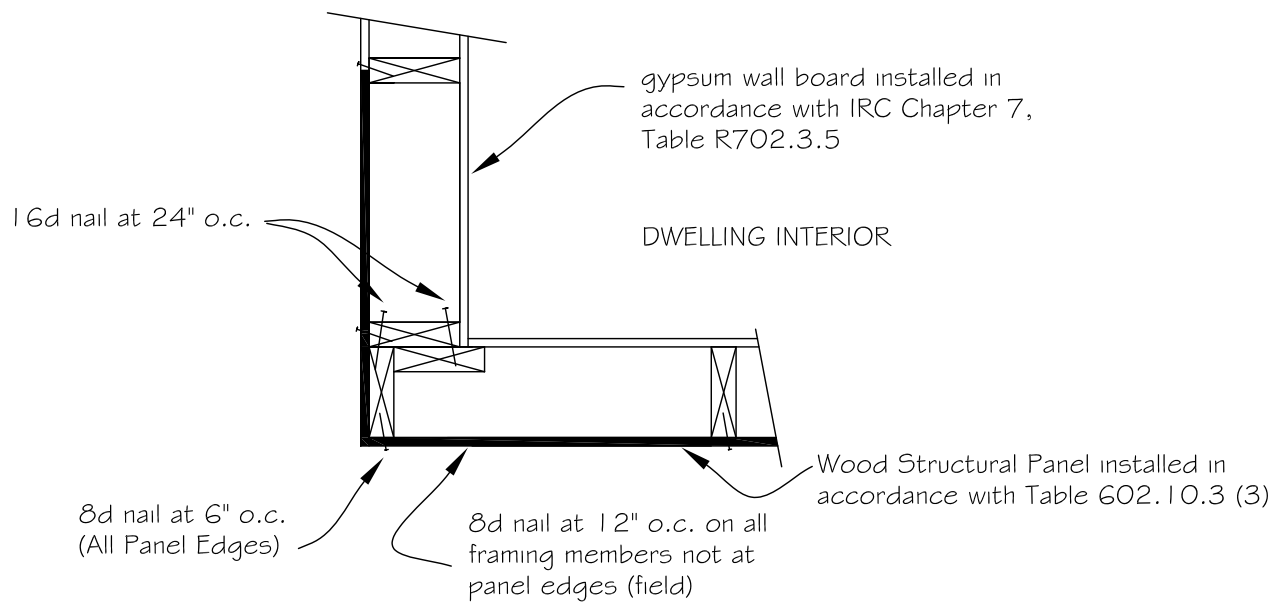


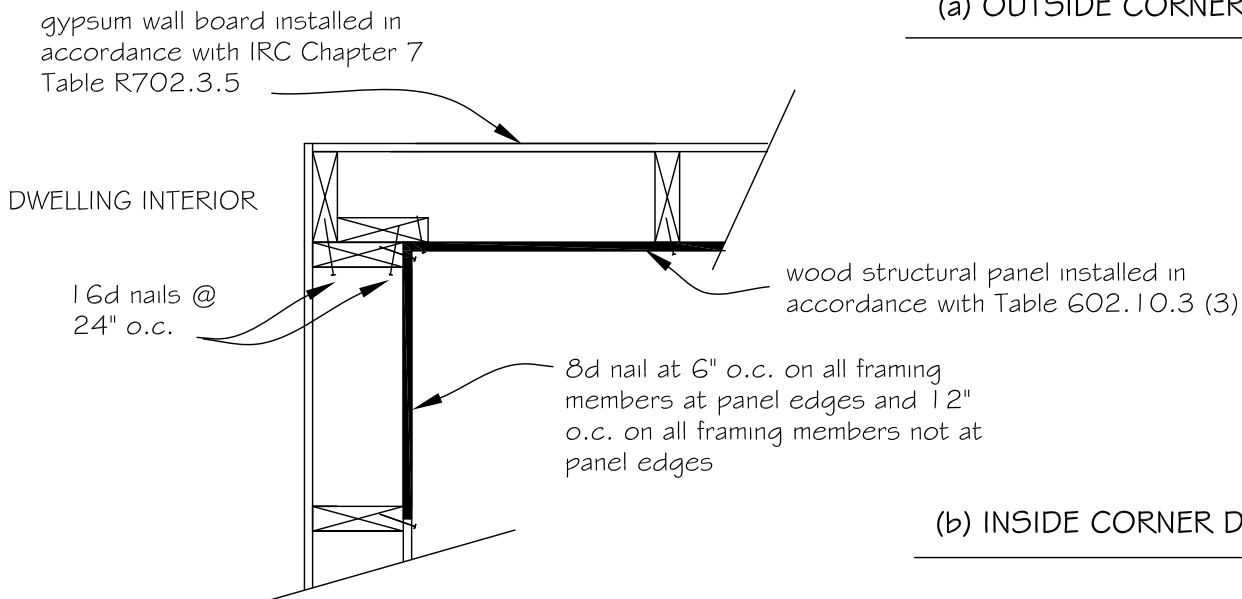
IRC Section R602.10.2.2.1 - Braced wall panels shall be located at each end of braced wall line. EXCEPTION: For braced wall panel construction Method WSP of Section R602.10.4 (wood structural panel sheathing), and continuous sheathing methods. The braced wall panel shall be permitted to begin no more than 10 feet from each end of the braced wall line provided one of the following.

IRC Section R602.10.2.2.1 Options:

1. A minimum 24-inch-wide panel is applied to each side of the building corner.
2. The end of each braced wall panel closes to the end of the braced wall line shall have an 1,800 lb. hold-down device fastened to the stud @ the edge of the braced wall panel closes to the corner and to the foundation or framing. The hold-down device shall be installed in accordance with the manufacturer's recommendations.



(a) OUTSIDE CORNER DETAIL



(b) INSIDE CORNER DETAIL