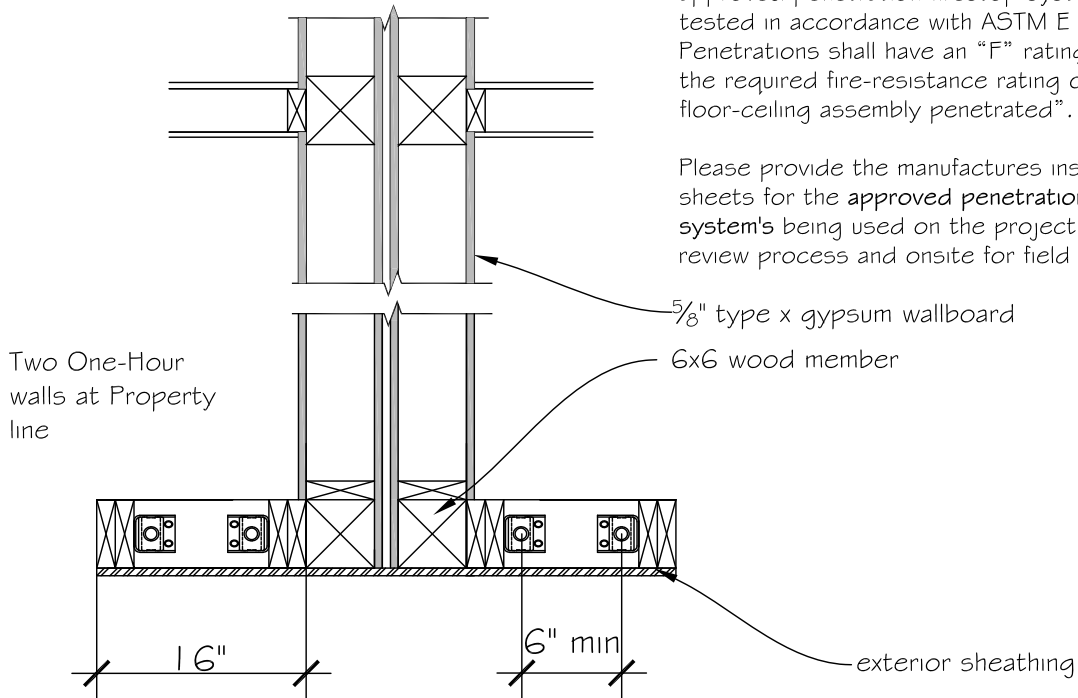


Southwest Washington Chapter of ICC

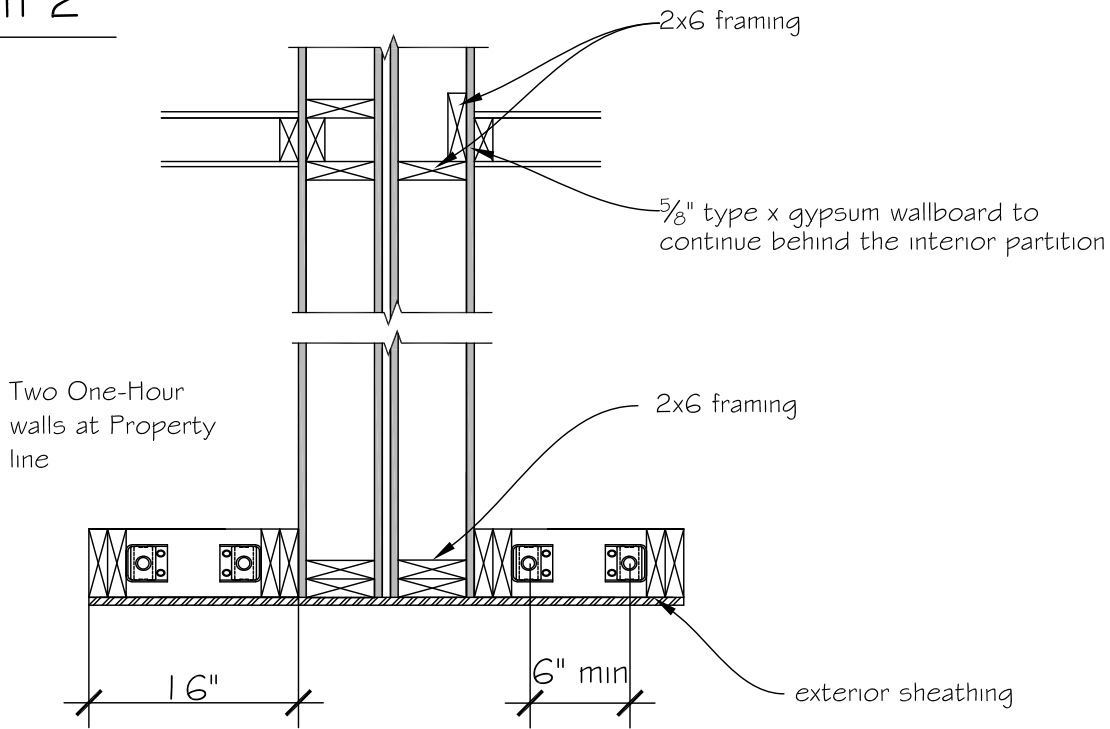
This construction detail is illustrative of the minimum standard of construction based upon the 2018 IRC / WAC 51-51

"Through penetrations shall be protected by an approved penetration firestop system installed as tested in accordance with ASTM E 814 or UL 1479. Penetrations shall have an "F" rating of not less than the required fire-resistance rating of the wall or floor-ceiling assembly penetrated".

Please provide the manufactures installation spec sheets for the approved penetration firestop system's being used on the project for both the plan review process and onsite for field inspections.



Option 2



Option 1

Prescriptive Portal Frame at Townhouse One-Hour Walls