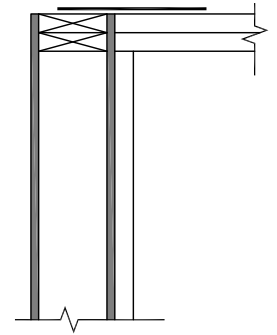
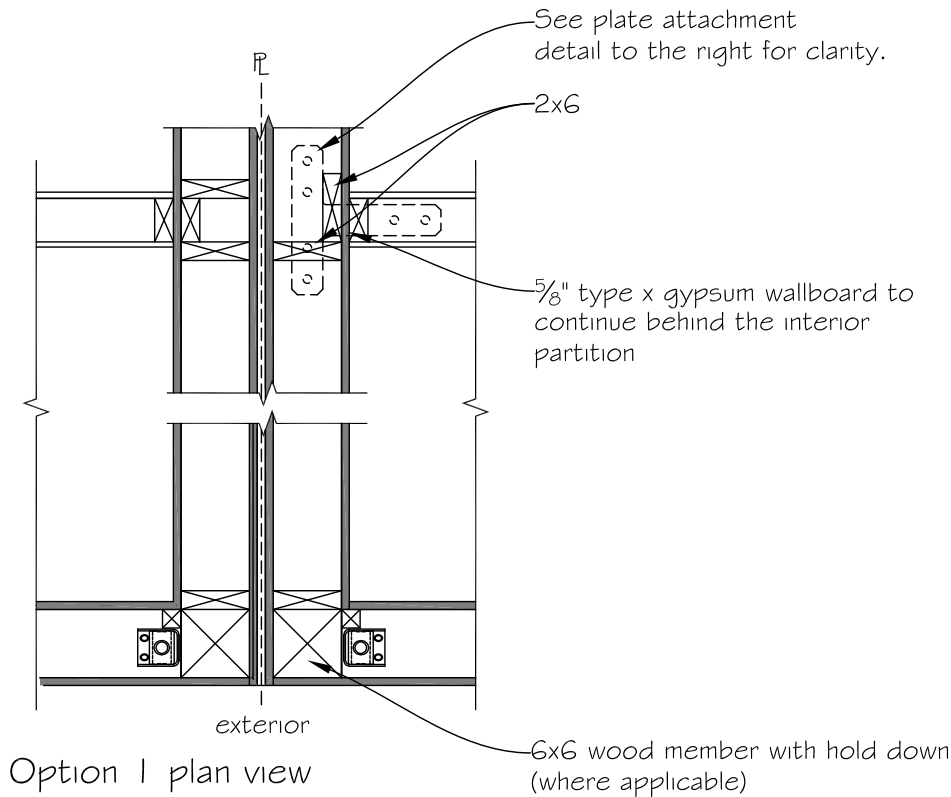
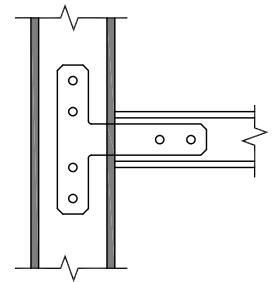


Southwest Washington Chapter of ICC

This construction detail is illustrative of the minimum standard
of construction based upon the 2018 IRC / WAC 51-51



Elevation



Plan view

Plate Attachments

